

SUBMITTAL DATA SHEET

Waste Water
 Effluent | Sewage Ejectors | Grinders
1/2 - 2 HP Effluent Pumps



1/2 - 2 HP high head effluent pumps that handle up to 3/4" solids with 2" FNPT discharge. Dewatering, septic systems, residential and commercial developments, elevator pit applications.

Motor (Single Phase)

High efficient, 115V or 230V, oil filled, permanent split capacitor motor with upper and lower ball bearings and thermal overload protection

- Constant bearing lubrication
- Maximum motor cooling
- Runs cooler and lasts longer
- Internal overload protection
- Quiet operation
- Fasteners and shaft made from rugged, corrosion resistant stainless steel

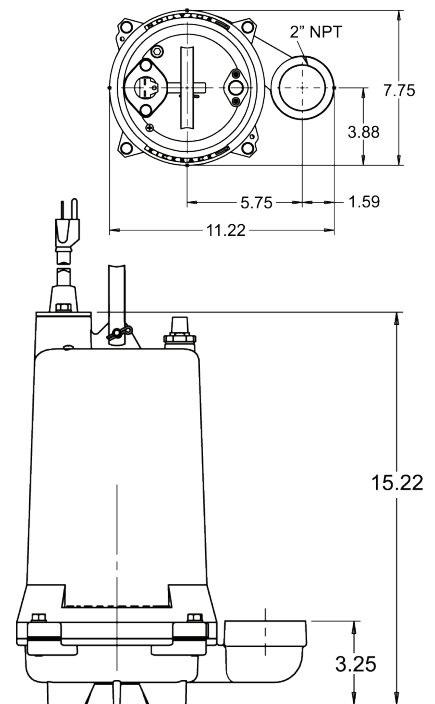
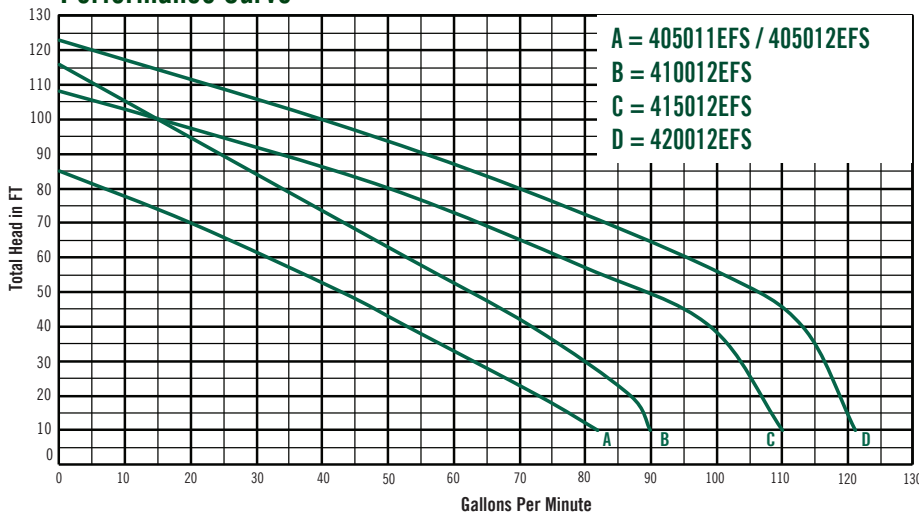
Performance

- Heads up to 124' TDH
- Flows up to 122 GPM

Warranty

- 3 Years from date of manufacture

Performance Curve



NO-LEAD: The weighted average of the wetted surface of this no-lead product contacted by consumable water contains less than one quarter of one percent (0.25%) lead.



A.Y. McDonald Mfg. Co.
 4800 Chavenelle Rd
 Dubuque, IA 52002

Toll Free: 1-800-292-2737
 sales@aymcdonald.com
 aymcdonald.com

A.Y. McDonald considers the information on this assembly drawing correct when published. Item and option availability, including specifications, are subject to change without notice.

Submitted by:

SUBMITTAL DATA SHEET

Waste Water
Effluent | Sewage Ejectors | Grinders
1/2 - 2 HP Effluent Pumps



Seal Design

Single, mechanical, oil filled chamber

- Optional double seal series models available that provides additional protection and moisture sensing capabilities
- Optional seal failure feature that will alert you when the seal has failed

Impeller Design

1 or 2 vane cast iron impeller

- Designed to help reduce clogging by foreign material

Power Cord

Sealed entry quick disconnect power cords

- Prevents water from entering the motor housing through a cut cord
- Easy to replace in the field
- Available in lengths up to 100'

Switch

Piggy-back switch design (Single Phase)

- Defective switches can be diagnosed over the phone
- Pump can be operated manually or supplied with other piggy-back switches
- Switch can be replaced

Technical Data

Discharge	2" NPT. vertical standard
Solids Handling	3/4"
Liquid Temperature	140°F (Intermittent)
Motor Housing	Cast Iron
Volute	Cast Iron
Seal Plate	Cast Iron
Impeller	Cast Iron / 1 or 2 Vane
Shaft	Stainless Steel
Shaft Seal (Single Seal)	Single mechanical, carbon rotating face, ceramic stationary face, Buna-N elastomer, 300 series stainless steel hardware
Shaft Seal (Double Seal)	Tandem double mechanical upper & lower, carbon ceramic, Buna-N elastomer, 300 stainless steel hardware
Bearings (Upper & Lower)	Single row, ball, oil lubricated
Hardware	300 Series stainless steel
O-rings	Buna-N
Cord	20' Length standard. Up to 100' available.
Motor (Single Phase)	1/2-2 HP 3450 RPM. 60 Hz, Includes overload protection in the motor, oil filled, class F permanent split capacitor.
Motor (Three Phase)	1/2-2 HP 3450 RPM. 60 Hz, oil filled, requires overload protection to be included in control panel.
Weight	72 lbs (Manual)

Part No.	Model	HP	Volts	Phase	AMPS	Cord Length	Switch
6191-014	405011EFS	1/2	115	1	13.8	20'	Manual
6191-015	405012EFS	1/2	230	1	6.9	20'	Manual
6191-016	410012EFS	1	230	1	10.4	20'	Manual
6191-017	415012EFS	1 1/2	230	1	12	20'	Manual
6191-018	420012EFS	2	230	1	14.8	20'	Manual

NO-LEAD: The weighted average of the wetted surface of this no-lead product contacted by consumable water contains less than one quarter of one percent (0.25%) lead.



A.Y. McDonald Mfg. Co.
4800 Chavenelle Rd
Dubuque, IA 52002

Toll Free: 1-800-292-2737
sales@aymcdonald.com
aymcdonald.com

A.Y. McDonald considers the information on this assembly drawing correct when published. Item and option availability, including specifications, are subject to change without notice.

Submitted by: