

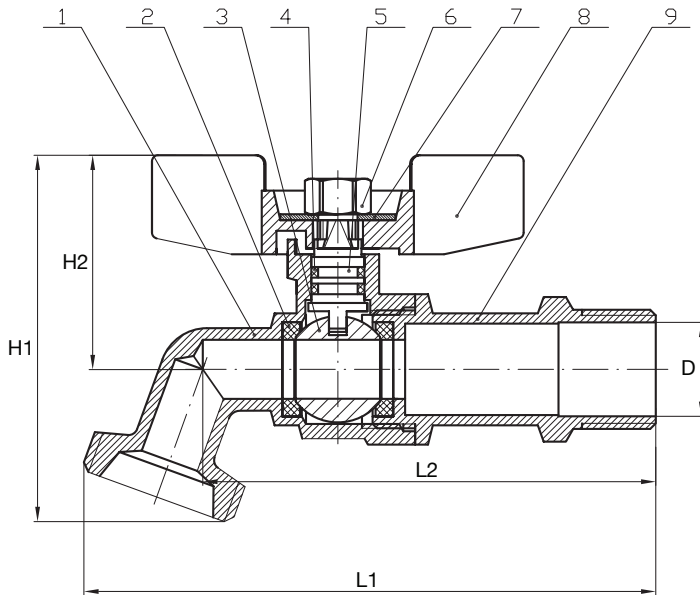
SUBMITTAL DATA SHEET

No-Lead
Quarter Turn No-Kink Hose Bibb - 72005

MNPT X MGHT



A.Y. McDonald Mfg. Co. No-Lead Low Pressure Valves are constructed from heavy duty no-lead brass and are recommended for residential and commercial applications and positive shut-off with various inlet configurations.



Dimensions

Size	L1	L2	H1	H2	D
1/2"	3.82"	3.02"	2.44"	1.38"	0.63"
3/4"	4.17"	3.35"	2.52"	1.40"	0.79"

Materials

No.	Part	Material
1	Body	No-Lead Brass(C46500)
2	Seal Ring	PTFE
3	Ball	No-Lead Brass(C46500)
4	O-ring	NBR
5	Stem	No-Lead Brass(C46500)
6	Hex Nut	Nickle Plated
7	Label	Aluminum
8	Handle	Aluminum
9	Connect Adapter	No-Lead Brass(C46500)

SUBMITTAL INFORMATION

- Ball Valve
- Quarter Turn Operation
- Max Pressure Rating: 250 PSI



NO-LEAD: The weighted average of the wetted surface of this no-lead product contacted by consumable water contains less than one quarter of one percent (0.25%) lead.



A.Y. McDonald Mfg. Co.
4800 Chavenelle Rd
Dubuque, IA 52002

Toll Free: 1-800-292-2737
sales@aymcdonald.com
aymcdonald.com

A.Y. McDonald considers the information on this assembly drawing correct when published. Item and option availability, including specifications, are subject to change without notice.

Submitted by: