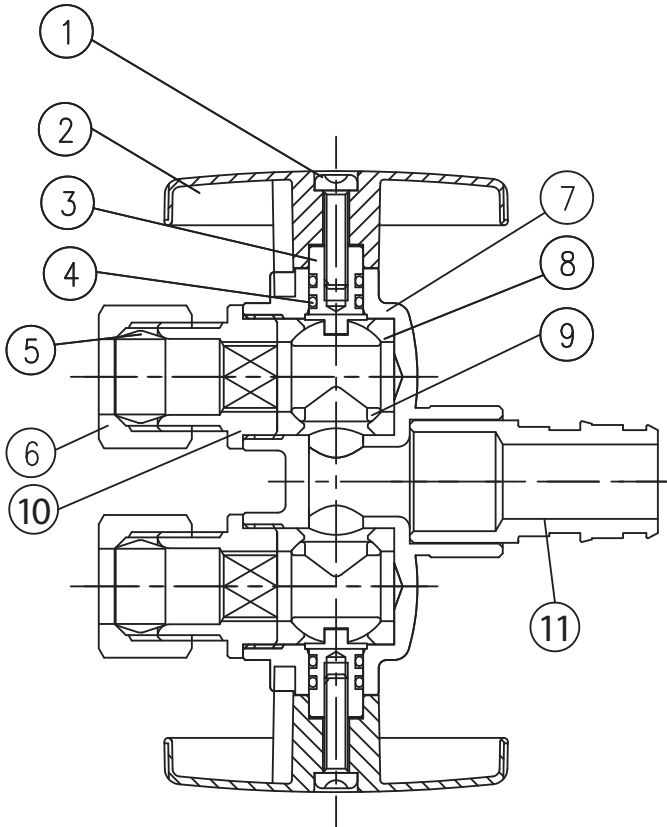
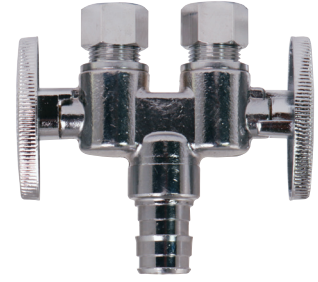


SUBMITTAL DATA SHEET

No-Lead Straight Supply Stop
Dual Outlet, Dual Handle - 72080EXPDD

Expansion Pex x Comp x Comp



Materials

No.	Part	Material
1	Handle Screw	Carbon Steel
2	Handle	Zinc
3	Stem	No-Lead Brass (C46400)
4	O-ring	Rubber
5	Compression Ring	Brass
6	Compression Nut	Brass
7	Body	No-Lead Brass (C46400)
8	Ball Disc Packing	Rubber
9	Ball Disc	No-Lead Brass (C46400)
10	End Plug	No-Lead Brass (C46400)
11	F1960 Expansion Pex Fitting	No-Lead Brass (C46400)

SUBMITTAL INFORMATION

- 1/2" Expansion Pex x 3/8" OD x 3/8" OD
- 1/2" Expansion Pex x 3/8" OD x 1/4" OD
- Pex End Conforms to ASTM F1960
- Chrome Plated



NSF/ANSI/CAN 61/372 Q<= 0.5

NO-LEAD: The weighted average of the wetted surface of this no-lead product contacted by consumable water contains less than one quarter of one percent (0.25%) lead.



A.Y. McDonald Mfg. Co.
4800 Chavenelle Rd
Dubuque, IA 52002

Toll Free: 1-800-292-2737
sales@aymcdonald.com
aymcdonald.com

A.Y. McDonald considers the information on this assembly drawing correct when published. Item and option availability, including specifications, are subject to change without notice.

Submitted by: