

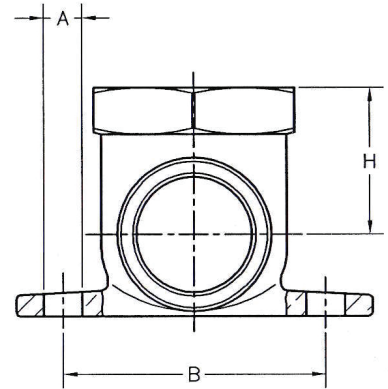
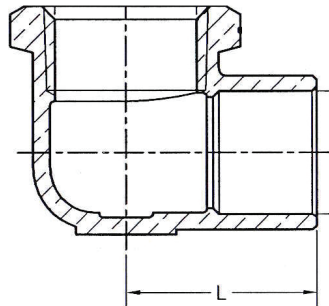
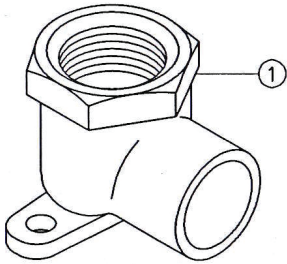
# SUBMITTAL DATA SHEET

No-Lead  
Bronze Drop Ear Elbow - 72102

FNPT x SWT



A.Y. McDonald Mfg. Co. No-Lead Drop Ear Elbows creates a 90° connection and allows the transition from Pex tubing to threaded pipe. Drop ear elbows are secured to a stud behind the wall, using the mounting 'ears' which have holes in them. Typically used for installing shower arms and tub spouts, and for use in potable water applications.



## Dimensions

Size	A	B	H	L
1/2"	0.20	1.34	0.75	0.97
3/4"	0.16	1.60	0.98	1.28

## Materials

No.	Part	Material
1	Body	No-Lead Brass

## SUBMITTAL INFORMATION

- Available Sizes: 1/2" & 3/4"
- Two Ear Design
- Threads comply with ANSI/ASME B1.20.1
- Sweat end connection complies with ASME B16.18

NO-LEAD: The weighted average of the wetted surface of this no-lead product contacted by consumable water contains less than one quarter of one percent (0.25%) lead.



**A.Y. McDonald Mfg. Co.**  
4800 Chavenelle Rd  
Dubuque, IA 52002

**Toll Free: 1-800-292-2737**  
sales@aymcdonald.com  
aymcdonald.com

A.Y. McDonald considers the information on this assembly drawing correct when published. Item and option availability, including specifications, are subject to change without notice.

**Submitted by:**