

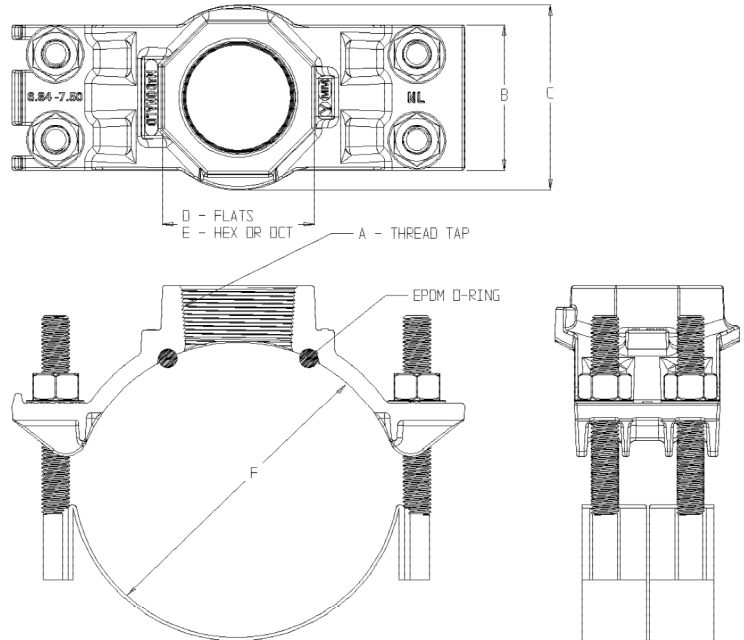
SUBMITTAL DATA SHEET

SS Strap Saddle – 73886

PVC x NPT



MODEL	SIZE	A	B	C	D	E	F	PVC TYPE
73886	4 X 3/4	3/4 NPT	3.19	3.29	1.69	DCT	4.80	C900
73886	4 X 1	1 NPT	3.19	3.29	1.69	DCT	4.80	C900
73886	4 X 1 1/4	1 1/4 NPT	3.19	4.19	3.45	DCT	4.80	C900
73886	4 X 1 1/2	1 1/2 NPT	3.19	4.19	3.45	DCT	4.80	C900
73886	4 X 2	2 NPT	3.19	4.19	3.45	DCT	4.80	C900
73886	6 X 3/4	3/4 NPT	3.19	3.29	1.69	DCT	6.90	C900
73886	6 X 1	1 NPT	3.19	3.29	1.69	DCT	6.90	C900
73886	6 X 1 1/4	1 1/4 NPT	3.19	4.19	3.45	DCT	6.90	C900
73886	6 X 1 1/2	1 1/2 NPT	3.19	4.19	3.45	DCT	6.90	C900
73886	6 X 2	2 NPT	3.19	4.19	3.45	DCT	6.90	C900
73886	8 X 3/4	3/4 NPT	3.19	3.29	1.69	DCT	9.05	C900
73886	8 X 1	1 NPT	3.19	3.29	1.69	DCT	9.05	C900
73886	8 X 1 1/4	1 1/4 NPT	3.19	4.19	3.45	DCT	9.05	C900
73886	8 X 1 1/2	1 1/2 NPT	3.19	4.19	3.45	DCT	9.05	C900
73886	8 X 2	2 NPT	3.19	4.19	3.45	DCT	9.05	C900
73886	10 X 3/4	3/4 NPT	3.19	3.29	1.69	DCT	11.10	C900
73886	10 X 1	1 NPT	3.19	3.29	1.69	DCT	11.10	C900
73886	10 X 1 1/4	1 1/4 NPT	3.19	4.19	3.45	DCT	11.10	C900
73886	10 X 1 1/2	1 1/2 NPT	3.19	4.19	3.45	DCT	11.10	C900
73886	10 X 2	2 NPT	3.19	4.19	3.45	DCT	11.10	C900
73886	12 X 3/4	3/4 NPT	3.19	3.29	1.69	DCT	13.20	C900
73886	12 X 1	1 NPT	3.19	3.29	1.69	DCT	13.20	C900
73886	12 X 1 1/4	1 1/4 NPT	3.19	4.19	3.45	DCT	13.20	C900
73886	12 X 1 1/2	1 1/2 NPT	3.19	4.19	3.45	DCT	13.20	C900
73886	12 X 2	2 NPT	3.19	4.19	3.45	DCT	13.20	C900



** ALL STAINLESS STEEL STRAPS ARE 1.88" WIDE.
TWO STRAPS (WITH 2 STUDS WELDED ON) PER ASSEMBLY.

DRAWING MAY NOT RESEMBLE
ACTUAL SADDLE CONFIGURATION

SUBMITTAL INFORMATION

- Manufactured in compliance with ANSI/AWWA C800 (latest revision)
- Brass components in contact with potable water conform to ASTM B584, UNS C89833 (latest revision) and identified with "NL"
- 304L Stainless Steel strap(s) and 5/8" studs. Stainless steel nuts (PTFE coated) and washers
- EPDM o-ring
- Pipe and tap size, and thread type identified on saddle
- Outlet boss with large wrench flats



A.Y. McDonald Mfg. CO.
4800 Chavenelle Rd
Dubuque, IA 52002

Toll Free: 1-800-292-2737
sales@aymcdonald.com
aymcdonald.com

A.Y. McDonald considers the information on this assembly drawing correct when published. Item and option availability, including specifications, are subject to change without notice.

Submitted by: