

# SUBMITTAL DATA SHEET

NL Service Fitting – 74692PEP 3/4

3/4 IPS/PVC/IP Compression to 1" Copper Flare

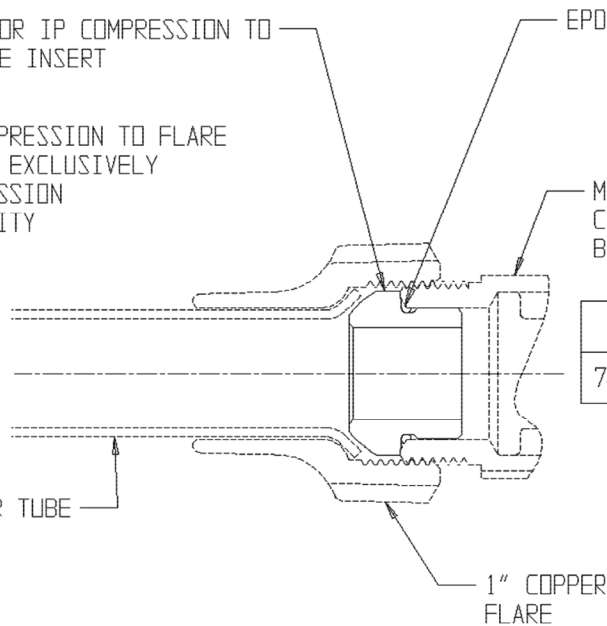


3/4" PEP, PVC OR IP COMPRESSION TO  
1" COPPER FLARE INSERT

EPDM O-RING

NOTE: A Y McDONALD 3/4" PEP, PVC OR IP COMPRESSION TO FLARE  
INSERTS (MODEL 4692PEP) ARE DESIGNED EXCLUSIVELY  
FOR USE WITH A Y McDONALD PEP COMPRESSION  
ENDS. A Y McDONALD ASSUMES NO LIABILITY  
FOR ANY OTHER USE.

McDONALD 3/4" PEP, PVC OR IP  
COMPRESSION  
BODY OR ENDPIECE



MODEL	SIZE
74692PEP	3/4

## SUBMITTAL INFORMATION

- Manufactured in compliance with ANSI/AWWA C800 (latest revision)
- Brass components in contact with potable water conform to ASTM B584, UNS C89833 (latest revision) and identified with "NL"
- Certified to NSF/ANSI 61 and NSF/ANSI 372
- Brass components not in contact with potable water conform to ASTM B62 and ASTM B584, UNS C83600 -85-5-5-5 (latest revision)
- Large wrench flats provided for proper installation



**A.Y. McDonald Mfg. Co.**  
4800 Chavenelle Rd  
Dubuque, IA 52002

**Toll Free: 1-800-292-2737**  
sales@aymcdonald.com  
[aymcdonald.com](http://aymcdonald.com)

A.Y. McDonald considers the information on this assembly drawing correct when published. Item and option availability, including specifications, are subject to change without notice.

**Submitted by:**