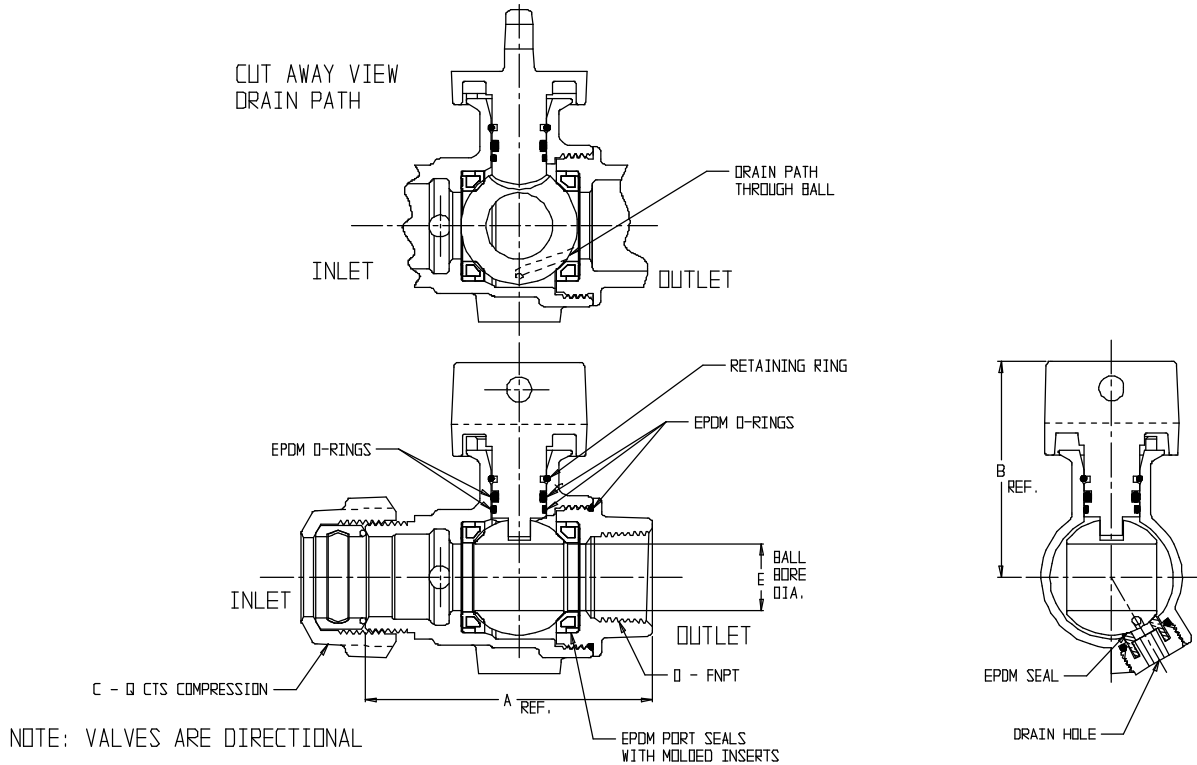


SUBMITTAL DATA SHEET

NL Stop and Waste Ball Curb Stop – 76002Q

Q CTS Compression x FNPT



MODEL	SIZE	A	B	C	D	E
76002Q	3/4	3.24	1.42	3/4	3/4	3/4
76002Q	1	3.75	2.65	1	1	1
76002Q	1 1/4	4.94	2.94	1 1/4	1 1/4	1 1/4

SUBMITTAL INFORMATION

- Manufactured in compliance with ANSI/AWWA C800 (latest revision)
- Brass components in contact with potable water conform to ASTM B584, UNS C89833 (latest revision) and identified with “NL”
- Certified to NSF/ANSI 61 and NSF/ANSI 372
- Brass components not in contact with potable water conform to ASTM B62 and ASTM B584, UNS C83600 -85-5-5-5 (latest revision)
- PTFE coated brass ball
- Rated for 150 PSIG water pressure with cast directional arrow
- Blow out proof EPDM port seals
- Joints sealed with EPDM o-rings and thread locker
- Insert stiffeners required on all flexible plastic connections



A.Y. McDonald Mfg. CO.
4800 Chavenelle Rd
Dubuque, IA 52002

Toll Free: 1-800-292-2737
sales@aymcdonald.com
aymcdonald.com

Submitted by:

SUBMITTAL DATA SHEET

NL Stop and Waste Ball Curb Stop – 76002Q

Q CTS Compression x FNPT



A.Y. McDonald considers the information on this assembly drawing correct when published. Item and option availability, including specifications, are subject to change without notice.