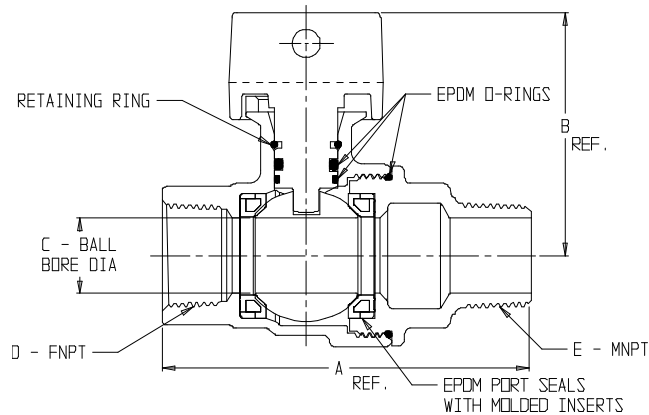
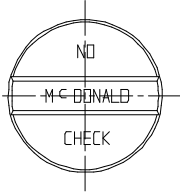


# SUBMITTAL DATA SHEET

## NL Ball Style Curb Stop – 76117

FNPT x MNPT



| MODEL | SIZE  | A    | B    | C    | D     | E     |
|-------|-------|------|------|------|-------|-------|
| 76117 | 3/4   | 3.62 | 2.42 | .75  | 3/4   | 3/4   |
| 76117 | 1     | 4.21 | 2.65 | 1.00 | 1     | 1     |
| 76117 | 1 1/2 | 5.47 | 3.40 | 1.50 | 1 1/2 | 1 1/2 |
| 76117 | 2     | 6.12 | 3.71 | 2.00 | 2     | 2     |

### SUBMITTAL INFORMATION

- Manufactured in compliance with ANSI/AWWA C800 (latest revision)
- Brass components in contact with potable water conform to ASTM B584, UNS C89833 (latest revision) and identified with “NL”
- Certified to NSF/ANSI 61 and NSF/ANSI 372
- Brass components not in contact with potable water conform to ASTM B62 and ASTM B584, UNS C83600 -85-5-5-5 (latest revision)
- PTFE coated brass ball
- Valve rated for 300 PSIG water pressure, end connections not to exceed rated pipe pressures.
- Blow out proof EPDM port seals
- End piece joint sealed with an EPDM o-ring and thread locker



**A.Y. McDonald Mfg. Co.**  
4800 Chavenelle Rd  
Dubuque, IA 52002

**Toll Free: 1-800-292-2737**  
sales@aymcdonald.com  
[aymcdonald.com](http://aymcdonald.com)

A.Y. McDonald considers the information on this assembly drawing correct when published. Item and option availability, including specifications, are subject to change without notice.

**Submitted by:**