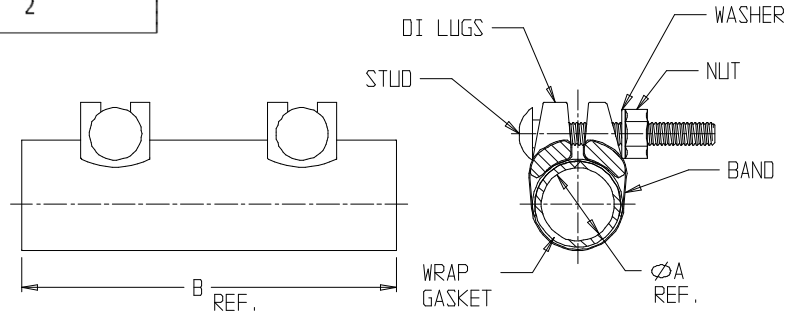
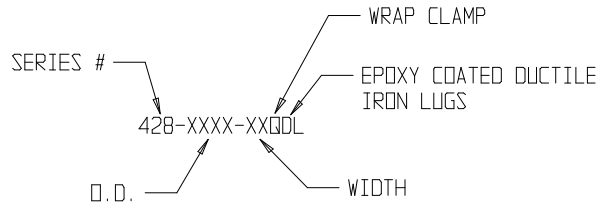


SUBMITTAL DATA SHEET

Wrap Clamps – 428QDL



WIDTH	# OF BOLTS
3"	1
6"	2



PIPE SIZE	A - O.D.	MODEL #	B - WIDTHS
1/2" CTS	0.625	428-0063-XXQDL	3", 6"
1/2" IPS	0.840	428-0064-XXQDL	3", 6"
3/4" CTS	0.875	428-0068-XXQDL	3", 6"
3/4" IPS	1.050	428-0105-XXQDL	3", 6"
1" CTS	1.125	428-0113-XXQDL	3", 6"
1" IPS	1.315	428-0132-XXQDL	3", 6"
1 1/4" CTS	1.375	428-0138-XXQDL	3", 6"
1 1/4" IPS	1.660	428-0166-XXQDL	3", 6"
1 1/2" CTS	1.625	428-0163-XXQDL	3", 6"
1 1/2" IPS	1.900	428-0190-XXQDL	3", 6"
2" CTS	2.125	428-0213-XXQDL	3", 6"
2" IPS	2.375	428-0238-XXQDL	3", 6"

SUBMITTAL INFORMATION

- Band – 18-8 Type 304 Stainless Steel
- Lug – Epoxy Coated Ductile Iron
- Gasket – Nitrile
- Studs – Carbon Steel Electro Galvanized with Di-Chromate Seal
- Nuts – Carbon Steel Electro Galvanized with Di-Chromate Seal
- Washers - Carbon Steel Electro Galvanized with Di-Chromate Seal



A.Y. McDonald Mfg. Co.
4800 Chavenelle Rd
Dubuque, IA 52002

Toll Free: 1-800-292-2737
sales@aymcdonald.com
aymcdonald.com

A.Y. McDonald considers the information on this assembly drawing correct when published. Item and option availability, including specifications, are subject to change without notice.

Submitted by: