

SUBMITTAL DATA SHEET

Sump, Sewage, & Effluent Pumps
DuraMAC™ | Guardian

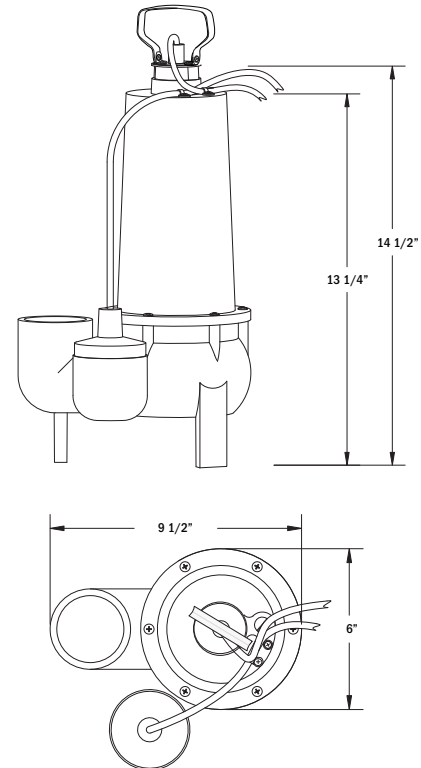
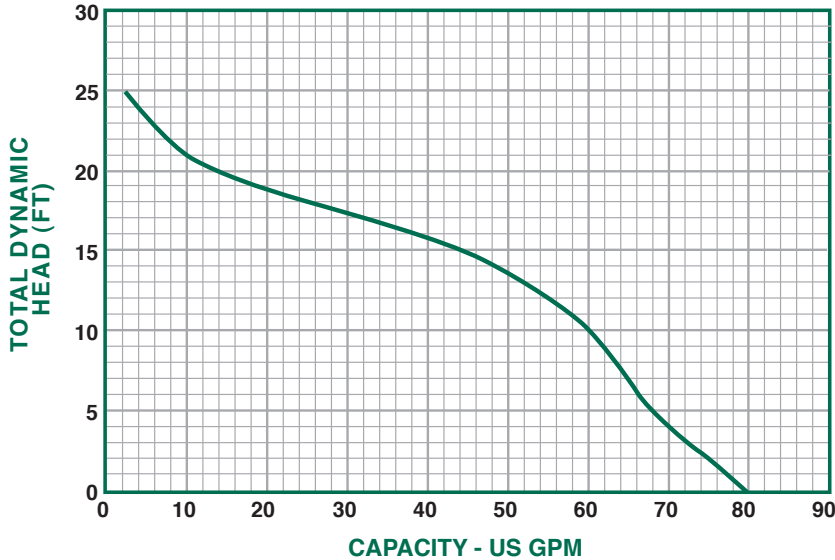
5050CTSJPACSL Sewage Pump



See Pumps & Accessories
Price List for Limited
Warranty details.

This pre-assembled simplex sewage package is designed to be used in any residential sewage application. With a 30 gallon capacity, 2" solids handling, and a 2" discharge pipe connected to the sewage pump, the package is ready to be installed. Special feature is the split lid for easy access to pump without disturbing discharge pipe.

Performance Curve



Performance

Model	Gallons per Minute in Feet					
	0	5	10	15	20	25
5050CTSJ	80	68	60	44	13	2

Specifications

Part No.	Model No.	HP	Volts	Hz	Amps	Construction	Discharge Size	Cord Length	Solids Handling	RPM	Phase	Wt.
6192-120	5050CTSJPACSL	1/2	120	60	7.6	Cast Iron	2"	10'	2"	3450	1	58

SUBMITTAL INFORMATION

- 5050CTSJ 1/2 HP Cast iron sewage ejector with tethered float switch
- 18" x 30" durable structural foam sewage basin with 4" inlet
- 2" Full flow check valve with rubber boots
- 4" Snap-In-Hub with stainless steel clamp
- 18" structural foam split lid cover with inspection port & gasket kit
- Stainless steel fasteners for cover
- 30" Long 2" PVC stub pipe
- Non-clogging stainless steel vortex impeller

NO-LEAD: The weighted average of the wetted surface of this no-lead product contacted by consumable water contains less than one quarter of one percent (0.25%) lead.



A.Y. McDonald Mfg. Co.
4800 Chavenelle Rd
Dubuque, IA 52002

Toll Free: 1-800-292-2737
sales@aymcdonald.com
aymcdonald.com

A.Y. McDonald considers the information on this assembly drawing correct when published. Item and option availability, including specifications, are subject to change without notice.

Submitted by: