

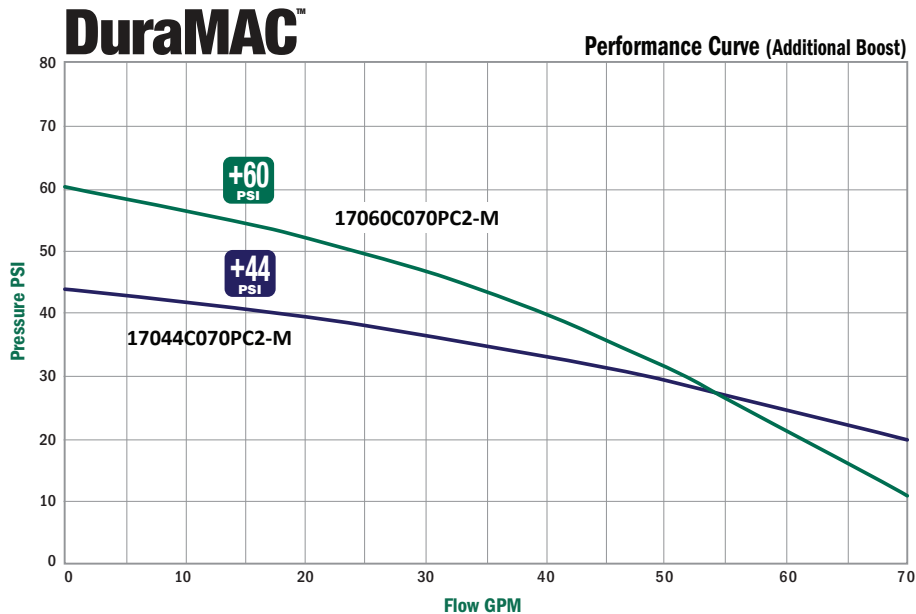
SUBMITTAL DATA SHEET

DuraMAC™ Booster Pumps Residential | Light Commercial | Irrigation **DuraMAC™ - Dual-Mode Modular**



See Pumps & Accessories Price List for Limited Warranty details.

Not all boosting applications require complicated boosting systems. The DuraMAC™ Boosting system is simple, versatile, sophisticated, and reliable. With a quick and easy installation, and unique digital control featuring dual modes of operation, this pump can meet your unique commercial or irrigation needs.



70 Gallon / Minute (GPM) Max

Part No.	DuraMAC™ Model	Description	Pump Boost	Amps	Voltage	Power	*Pressure Reducing Valve Recommended for installation with incoming pressure greater than:	Wt.
6011-005	17044C070PC2-M	230V Booster System	44 PSI	7.0	230 - 60 Hz	2 HP	36 PSI	56
6011-006	17060C070PC2-M	230V Booster System	60 PSI	8.0	230 - 60 Hz	2 HP	20 PSI	56

Pressure tank required. See instruction manual for sizing information.

*Many plumbing codes do not recommend system pressure exceeding 80 PSI. Refer to local plumbing codes for maximum boosted pressure.

SUBMITTAL INFORMATION

- Easy set-up installation
- Digital control with dual modes of operation
- Durable stainless steel and no-lead brass connections
- TEFC single phase motor for quiet operation
- Electronics separated and sealed from waterway
- Pressure gauge included
- No-Lead brass check valve included (Meets no-lead compliance)
- Standard, 1 year from install warranty applies



NO-LEAD: The weighted average of the wetted surface of this no-lead product contacted by consumable water contains less than one quarter of one percent (0.25%) lead.



A.Y. McDonald Mfg. Co.
4800 Chavenelle Rd
Dubuque, IA 52002

Toll Free: 1-800-292-2737
sales@aymcdonald.com
aymcdonald.com

A.Y. McDonald considers the information on this assembly drawing correct when published. Item and option availability, including specifications, are subject to change without notice.

Submitted by:

SUBMITTAL DATA SHEET

DuraMAC™ Booster Pumps Residential | Light Commercial | Irrigation **DuraMAC™ - Dual-Mode Modular**



See Pumps & Accessories Price List for Limited Warranty details.

Control Features

The DuraMAC™ Dual-Mode control has the flexibility to be run in two different modes.



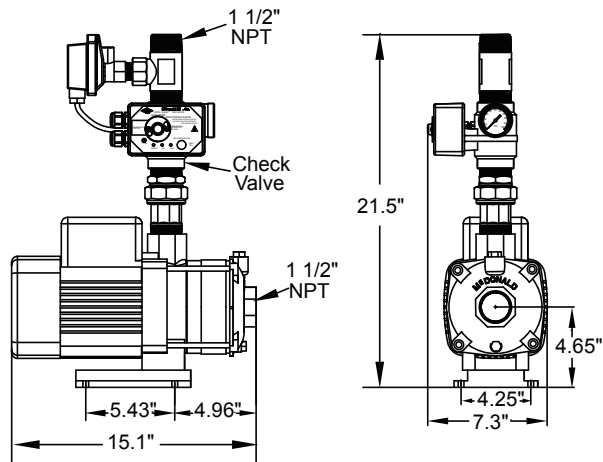
PRESSURE MODE

START METHOD: Pressure Drop

STOP METHOD: Low Flow

In Pressure Mode, the control accurately measures pressure with a pressure transducer and starts the pump at an adjustable start pressure point. The pump will stop when the flow is less than three Gallons per Minute.

This smart system will only run the pump when water is in use. There is a preset seven second delay after water is not flowing past the flow sensor to fully pressurize your system and eliminate water hammer.



Dual-Mode Modular Shown.
Skid mounted Simplex and Duplex available.



FLOW MODE

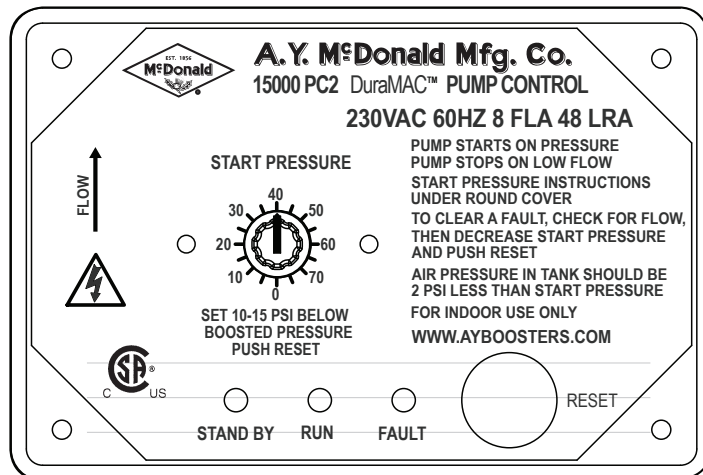
START METHOD: Water Flow

STOP METHOD: Low Flow

In Flow Mode, the control will start and stop on flow, regardless of pressure. This method can be used for systems with minor leaking or when incoming pressure varies. The starting flow rate is approximately five Gallons per Minute. The pump will stop when the flow is less than three Gallons per Minute.

Materials of Construction

- Impellers	304 Stainless Steel
- Pump Casing Inlet	301 Stainless Steel
- Pump Casing Outlet	301 Stainless Steel
- Pump Seal (stationary)	Silicon Carbide
- Pump Seal (rotating)	Carbon / NBR
- Diffuser	304 Stainless Steel
- Union Connection	No-Lead Brass
- Check Valve	No-Lead Brass
- Pump Control	No-Lead Brass
- Motor - Single Phase	2 HP TEFC



NO-LEAD: The weighted average of the wetted surface of this no-lead product contacted by consumable water contains less than one quarter of one percent (0.25%) lead.



A.Y. McDonald Mfg. Co.
4800 Chavenelle Rd
Dubuque, IA 52002

Toll Free: 1-800-292-2737
sales@aymcdonald.com
aymcdonald.com

A.Y. McDonald considers the information on this assembly drawing correct when published. Item and option availability, including specifications, are subject to change without notice.

Submitted by: