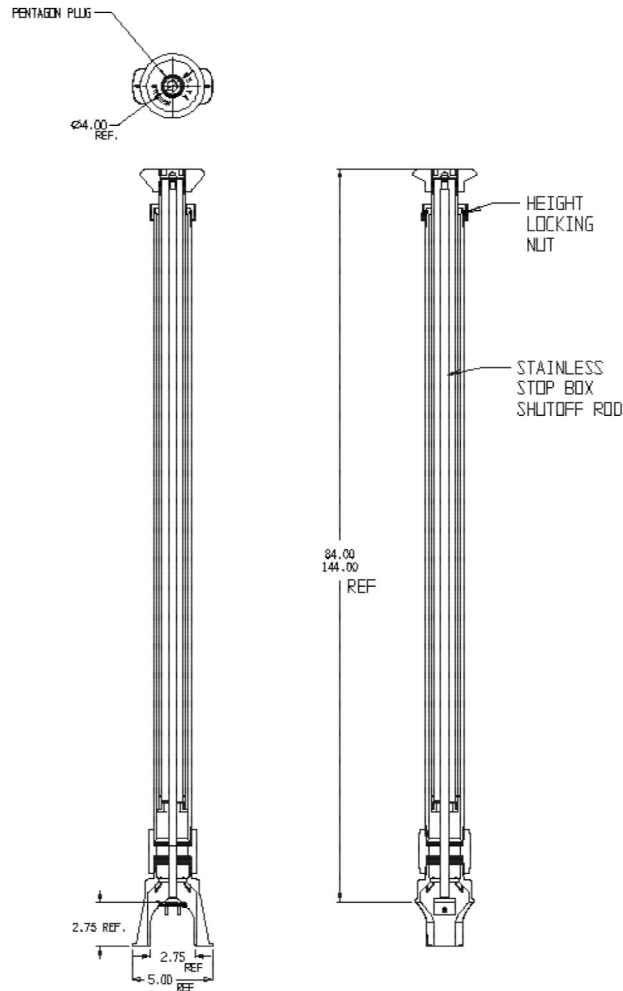


# SUBMITTAL DATA SHEET

Curb Boxes – 5504 84x144

Arch Pattern



## SUBMITTAL INFORMATION

- Brass components not in contact with potable water conform to ASTM B62 and ASTM B584, UNS C83600 -85-5-5-5 (latest revision) or ASTM B584, UNS C84400 -81-3-7-9 (latest revision)
- Lid made of Cast Iron per ASTM A48, Class 25
- Upper and lower section made of polyethylene
- Arch and adjustment nut made of polypropylene
- Lid coated with black dip



**A.Y. McDonald Mfg. Co.**  
4800 Chavenelle Rd  
Dubuque, IA 52002

**Toll Free: 1-800-292-2737**  
[sales@aymcdonald.com](mailto:sales@aymcdonald.com)  
[aymcdonald.com](http://aymcdonald.com)

A.Y. McDonald considers the information on this assembly drawing correct when published. Item and option availability, including specifications, are subject to change without notice.

**Submitted by:**