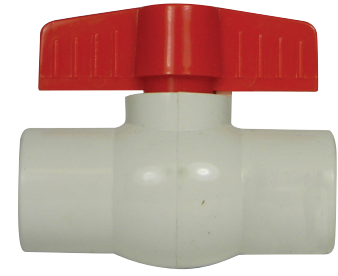


SUBMITTAL DATA SHEET

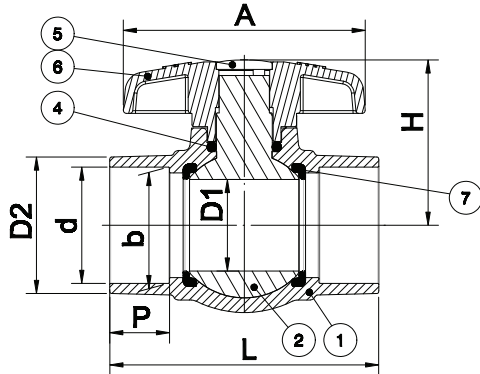
PVC Ball Valves – 2060S

Solvent x Solvent

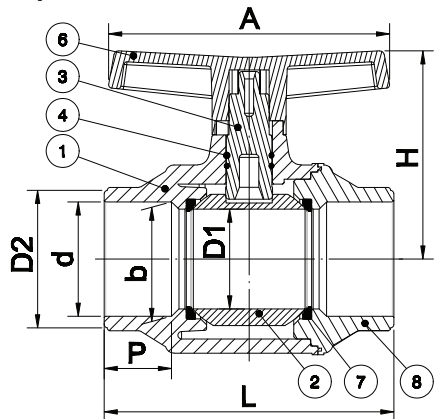


A.Y. McDonald Mfg. Co. standard port PVC ball valves feature convenience of operation with excellent flow characteristics. Use these sturdy valves for water supply in residential, commercial, and industrial applications.

1/2" - 2"



2 1/2" - 4"



Dimensions

Part No.	Model No.	Size	D1	d	b	P	L	D2	H	A
4421-013	2060S	1/2"	0.580	0.848	0.836	0.875	3.112	1.142	1.774	2.733
4421-014	2060S	3/4"	0.780	1.058	1.046	1.000	3.389	1.381	1.919	3.155
4421-015	2060S	1"	0.970	1.325	1.310	1.125	3.926	1.680	2.240	3.634
4421-016	2060S	1 1/4"	1.250	1.670	1.655	1.250	4.449	2.054	2.484	4.112
4421-017	2060S	1 1/2"	1.510	1.912	1.894	1.375	5.130	2.316	2.886	4.401
4421-018	2060S	2"	1.950	2.387	2.369	1.500	5.905	2.877	3.422	5.523
4424-255	2060S	2 1/2"	2.550	2.889	2.868	1.750	7.638	3.780	5.550	7.480
4424-256	2060S	3"	3.050	3.516	3.492	1.875	9.173	4.331	6.063	9.005
4424-257	2060S	4"	3.910	4.518	4.491	2.250	10.826	5.350	6.700	10.790

Materials

No.	Part	Material
1	Body	UPVC
2	Ball	UPVC
3	Stem (only for 2 1/2" - 4")	UPVC
4	Stem O-Ring	EPDM
5	Cap (only for 1/2" - 2")	ABS
6	Handle	ABS
7	Seat / Seal	EPDM
8	End Connector (only for 2 1/2" - 4")	UPVC

SUBMITTAL INFORMATION

- Schedule 80 Specification
- Sizes: 1/2", 3/4", 1", 1 1/4", 1 1/2", 2", 2 1/2", 3", & 4"
- Fits schedule 40 and 80 PVC Pipe

Temperature Ratings:

- 150 PSI at 73°F
- 50 PSI at 140°F
- NSF/ANSI 61

NO-LEAD: The weighted average of the wetted surface of this no-lead product contacted by consumable water contains less than one quarter of one percent (0.25%) lead.



A.Y. McDonald Mfg. Co.
4800 Chavenelle Rd
Dubuque, IA 52002

Toll Free: 1-800-292-2737
sales@aymcdonald.com
aymcdonald.com

A.Y. McDonald considers the information on this assembly drawing correct when published. Item and option availability, including specifications, are subject to change without notice.

Submitted by: