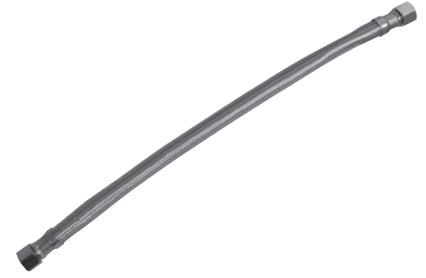


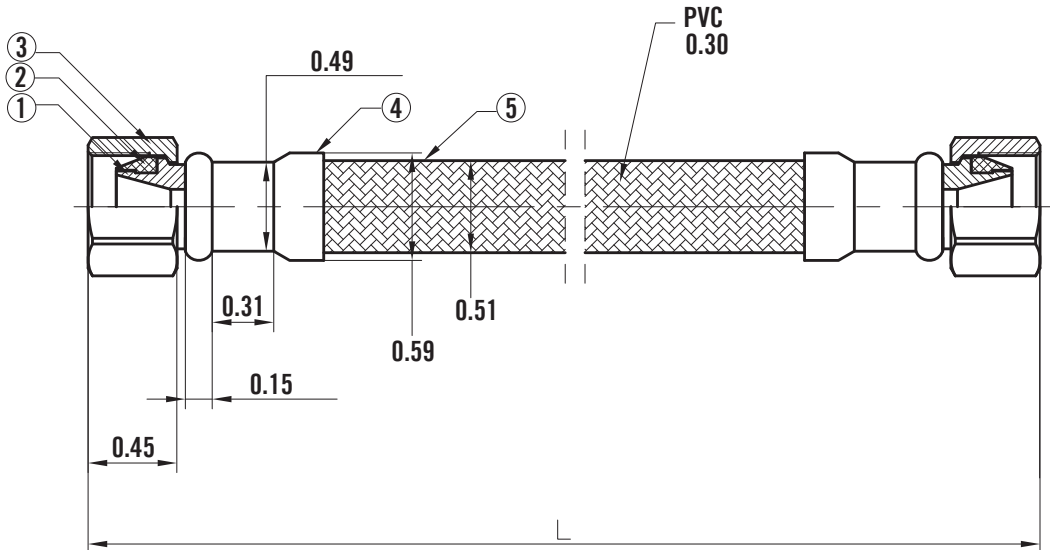
# SUBMITTAL DATA SHEET

No-Lead  
Stainless-Steel Faucet Hose  
2107FCC

Comp x Comp



A.Y. McDonald Mfg. Co. No-Lead Supply Hoses are constructed from heavy duty stainless-steel and are recommended for residential and commercial applications with various inlet configurations.



## Dimensions

Size	L
3/8" x 3/8" x 12"	12"
3/8" x 3/8" x 20"	20"

## Materials

No.	Part	Material
1	Insert	Brass
2	Washer	EPDM
3	Nut	Nickel-Plated Brass
4	Ferrule	Stainless-Steel 304
5	Braided Hose	PVC/Stainless-Steel 304

## SUBMITTAL INFORMATION

- Available Sizes:  
3/8" x 3/8" x 12"  
3/8" x 3/8" x 20"
- ASME A112.18.6-2009 / CSA B125.6-09 (R2014)

- For use in potable water distribution systems
- Durable, flexible water connector requires no cutting or soldering during installation



NO-LEAD: The weighted average of the wetted surface of this no-lead product contacted by consumable water contains less than one quarter of one percent (0.25%) lead.



**A.Y. McDonald Mfg. Co.**  
4800 Chavenelle Rd  
Dubuque, IA 52002

**Toll Free: 1-800-292-2737**  
sales@aymcdonald.com  
aymcdonald.com

A.Y. McDonald considers the information on this assembly drawing correct when published. Item and option availability, including specifications, are subject to change without notice.

**Submitted by:**