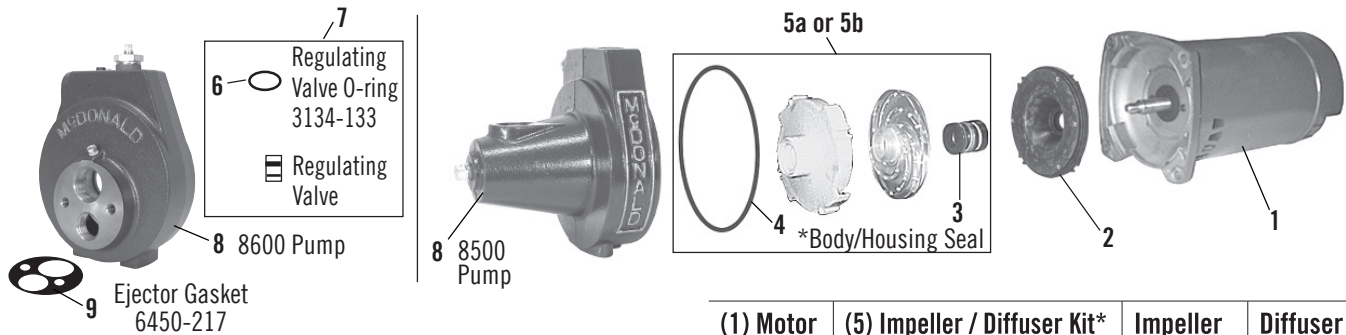


SUBMITTAL DATA SHEET

Pump Repair Parts

8500 / 8600 Series Repair Parts



Part #	Ref #	Description
6155-284	2	Seal Plate
6422-500	3	Rotary Seal
3138-995	4	O-Ring E03 & Newer
6155-224	4	Housing gasket D03 & Older
3134-114	6	Regulating Valve O-ring
6155-238	7	Regulating Valve assembly
6155-236	8	8500 Pump Body assembly
6155-237	8	8600 Pump Body assembly
6450-217	9	Ejector Gasket
6127-248		Pump Foot
3100-530		Foot Capscrews
3100-565		Body Capscrews
5999-903		Brass diffuser screws
3110-951		Regulating valve set screw

HP	(1) Motor	(5) Impeller / Diffuser Kit*	Impeller	Diffuser
	Part #	Part #	Part #	Part #
8530, 8530HP, 8630	6164-203	6127-324	6155-359	6130-201
8531, 8531HP, 8631	6164-203	6127-325	6155-331	6130-201
8550, 8550HP, 8650	6164-200	6127-326	6155-358	6130-201
8551, 8551HP, 8651	6164-200	6127-327	6155-330	6130-201
8570, 8570HP, 8670	6164-201	6127-328	6155-370	6155-223
8571, 8571HP, 8671	6164-201	6127-329	6155-334	6155-223
8510, 8510HP, 8610	6164-202	6127-330	6155-369	6155-223
8511, 8511HP, 8611	6164-202	6127-331	6155-333	6155-223

*Kit includes impeller, diffuser, rotary seal & housing gasket with instructions

Miscellaneous Parts (Not shown above)

Part #	Description
3119-112	101-2 Casing Adapter Washers
3100-527	1/2-13x1" Capscrew
3100-303	3/8-16 x 1 3/4 Sq Hd. Bolt
6450-214	2" Rubber Packing
6450-215	2" Gland
6450-261	Casing Adapter Gasket

NO-LEAD: The weighted average of the wetted surface of this no-lead product contacted by consumable water contains less than one quarter of one percent (0.25%) lead.



A.Y. McDonald Mfg. Co.
4800 Chavenelle Rd
Dubuque, IA 52002

Toll Free: 1-800-292-2737
sales@aymcdonald.com
aymcdonald.com

A.Y. McDonald considers the information on this assembly drawing correct when published. Item and option availability, including specifications, are subject to change without notice.

Submitted by: