

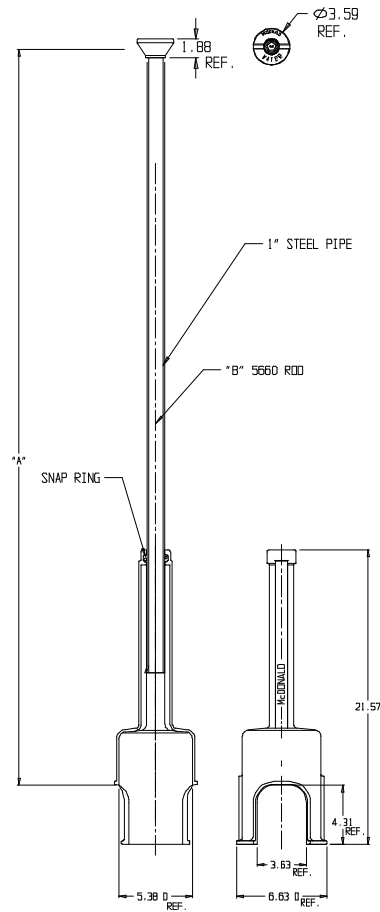
SUBMITTAL DATA SHEET

Curb Boxes – 5602LR

Arch Pattern



MODEL	"A" RANGE
5602LR 2 1/2	1 1/2' TO 2 1/2'
5602LR 3	2' TO 3'
5602LR 3 1/2	2 1/2' TO 3 1/2'
5602LR 4	3' TO 4'
5602LR 4 1/2	3 1/2' TO 4 1/2'
5602LR 5	4' TO 5'
5602LR 5 1/2	4 1/2' TO 5 1/2'
5602LR 6	5' TO 6'
5602LR 6 1/2	5 1/2' TO 6 1/2'
5602LR 7	6' TO 7'
5602LR 7 1/2	6 1/2' TO 7 1/2'
5602LR 8	7' TO 8'
5602LR 8 1/2	7 1/2' TO 8 1/2'



SUBMITTAL INFORMATION

- Brass components not in contact with potable water conform to ASTM B62 and ASTM B584, UNS C83600 -85-5-5-5 (latest revision) or ASTM B584, UNS C84400 -81-3-7-9 (latest revision)
- Lid and Base made of Cast Iron per ASTM A48, Class 25
- Upper Section made of steel pipe
- Coated with black dip



A.Y. McDonald Mfg. Co.
4800 Chavenelle Rd
Dubuque, IA 52002

Toll Free: 1-800-292-2737
sales@aymcdonald.com
aymcdonald.com

A.Y. McDonald considers the information on this assembly drawing correct when published. Item and option availability, including specifications, are subject to change without notice.

Submitted by: