

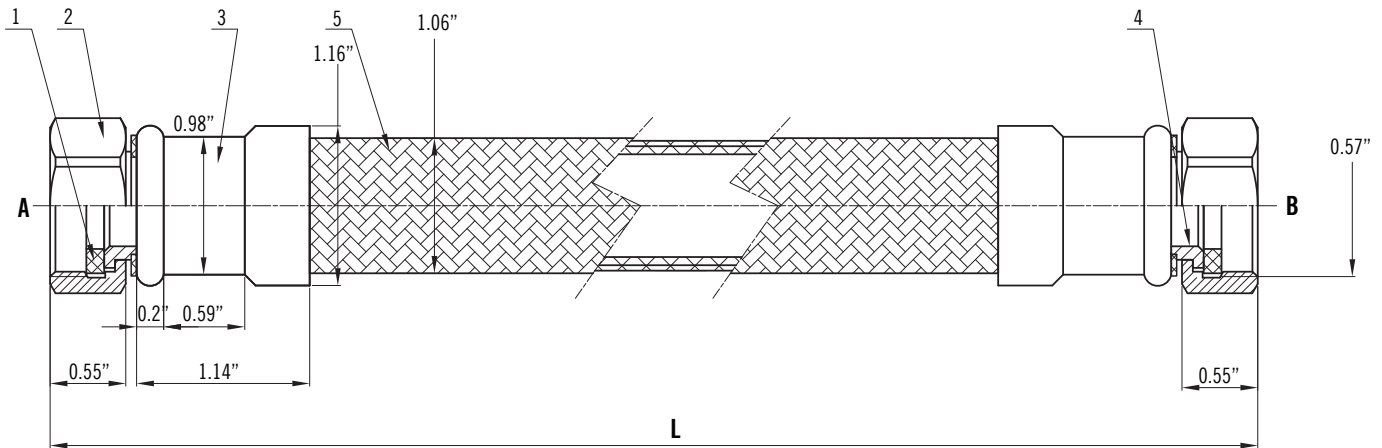
SUBMITTAL DATA SHEET

No-Lead
Black Nylon Water Heater Connector – 2108BN

FNPT x FNPT



A.Y. McDonald Mfg. Co. extensive line of plumbing products includes water heater connectors. These quality, braided, nylon, water flex lines are ideal for installation in tight spaces, work on wet lines, are removable and great for repair work.



Materials

No.	Part	Material
1	Washer	EPDM
2	Nut	Brass
3	Ferrule	Stainless-Steel 304
4	Insert	C37100
5	Black Nylon Braided	

Dimensions

Part No.	Model No.	Size	L	A	B
4426-196	2108BN	3/4" x 3/4" x 24"	24"	3/4" FNPT	3/4" FNPT

SUBMITTAL INFORMATION

- Maximum Working Pressure: 125 psi
- Maximum Working Temperature: 180°
- For use in potable water distribution systems
- Durable, flexible water connector requires no cutting or soldering during installation



NO-LEAD: The weighted average of the wetted surface of this no-lead product contacted by consumable water contains less than one quarter of one percent (0.25%) lead.



A.Y. McDonald Mfg. Co.
4800 Chavenelle Rd
Dubuque, IA 52002

Toll Free: 1-800-292-2737
sales@aymcdonald.com
aymcdonald.com

A.Y. McDonald considers the information on this assembly drawing correct when published. Item and option availability, including specifications, are subject to change without notice.

Submitted by: