

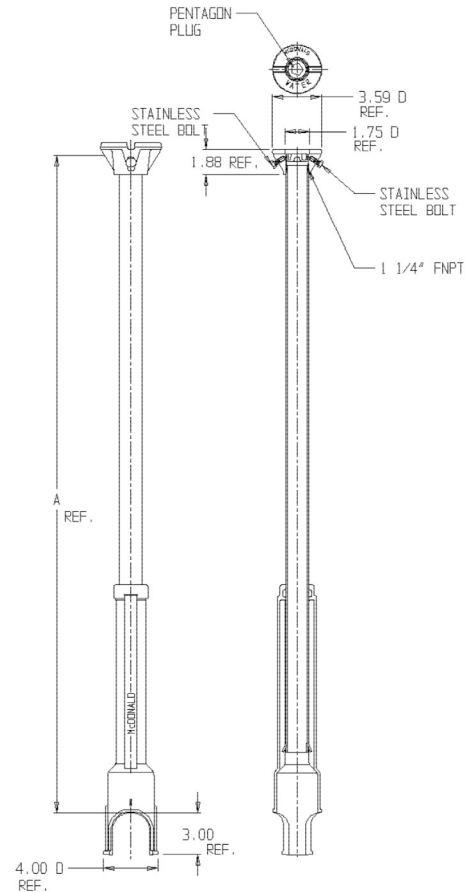
# SUBMITTAL DATA SHEET

## Curb Boxes – 5604ATW

Arch Pattern



| MODEL   | SIZE  | A-RANGE          |
|---------|-------|------------------|
| 5604ATW | 2 1/2 | 1 1/2' TO 2 1/2' |
| 5604ATW | 3     | 2' TO 3'         |
| 5604ATW | 3 1/2 | 2 1/2' TO 3 1/2' |
| 5604ATW | 4     | 3' TO 4'         |
| 5604ATW | 4 1/2 | 3 1/2' TO 4 1/2' |
| 5604ATW | 5     | 4' TO 5'         |
| 5604ATW | 5 1/2 | 5 1/2' TO 6 1/2' |
| 5604ATW | 6     | 5' TO 6'         |
| 5604ATW | 6 1/2 | 5 1/2' TO 6 1/2' |
| 5604ATW | 7     | 6' TO 7'         |
| 5604ATW | 7 1/2 | 6 1/2' TO 7 1/2' |
| 5604ATW | 8     | 7' TO 8'         |
| 5604ATW | 10    | 9' TO 10'        |



### SUBMITTAL INFORMATION

- Brass components not in contact with potable water conform to ASTM B62 and ASTM B584, UNS C83600 -85-5-5-5 (latest revision) or ASTM B584, UNS C84400 -81-3-7-9 (latest revision)
- Lid and Base made of Cast Iron per ASTM A48, Class 25
- Upper Section made of steel pipe
- Coated with black dip



**A.Y. McDonald Mfg. Co.**  
4800 Chavenelle Rd  
Dubuque, IA 52002

**Toll Free: 1-800-292-2737**  
sales@aymcdonald.com  
[aymcdonald.com](http://aymcdonald.com)

A.Y. McDonald considers the information on this assembly drawing correct when published. Item and option availability, including specifications, are subject to change without notice.

**Submitted by:**