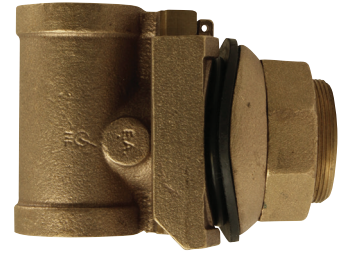


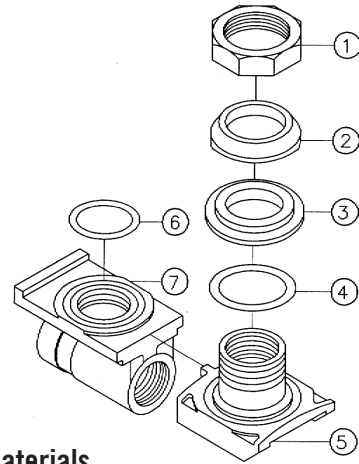
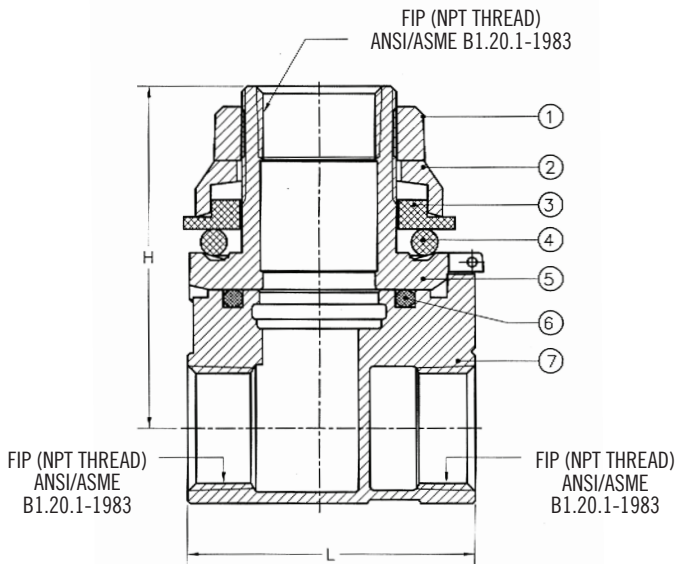
SUBMITTAL DATA SHEET

Bronze Pitless Adapters – 72232

FNPT x FNPT



A.Y. McDonald continues with the addition of 1" and 1 1/4" No-Lead Bronze Pitless Adapters. The Pitless Adapter is designed with a Heavy Duty Cast Bronze material and NBR rubber O-Rings for quick, easy and reliable installation.



Materials

No.	Part	Material
1	Packing Nut	Cast Bronze
2	Gland Ring	Cast Bronze
3	Packing	Rubber (NBR)
4	O-Ring	Rubber (NBR)
5	Bonnet	Cast Bronze
6	O-Ring	Rubber (NBR)
7	Body	Cast Bronze

Dimensions

Part No.	Model No.	Size	L	H
5427-081	72232	1"	3.0	3.6
5427-082	72232	1 1/4"	3.5	4.0

Approximate weight of Water & Pipe per Foot

Type of Pipe	Nominal Size of Pipe	Pipe ID	WT. of Water per foot	WT. of Pipe per foot	Total WT. per foot
125 PSI	1"	1.049	.38 lbs	.20 lbs	.58 lbs
Polyethylene	1 1/4"	1.38	.65 lbs	.33 lbs	.98 lbs
160 PSI	1"	1.049	.38 lbs	.26 lbs	.64 lbs
Polyethylene	1 1/4"	1.38	.65 lbs	.43 lbs	1.08 lbs
Sch. 80	1"	.957	.31 lbs	.40 lbs	.71 lbs
PVC	1 1/4"	1.278	.56 lbs	.55 lbs	1.11 lbs
Steel	1"	1.049	.38 lbs	1.68 lbs	2.06 lbs
Pipe	1 1/4"	1.38	.65 lbs	2.28 lbs	2.93 lbs

SUBMITTAL INFORMATION

- Sizes: 1" & 1 1/4"
- Bronze Construction
- NSF-61
- 1" & 1 1/4" will support 300' well depth

NO-LEAD: The weighted average of the wetted surface of this no-lead product contacted by consumable water contains less than one quarter of one percent (0.25%) lead.



A.Y. McDonald Mfg. Co.
4800 Chavenelle Rd
Dubuque, IA 52002

Toll Free: 1-800-292-2737
sales@aymcdonald.com
aymcdonald.com

A.Y. McDonald considers the information on this assembly drawing correct when published. Item and option availability, including specifications, are subject to change without notice.

Submitted by: