

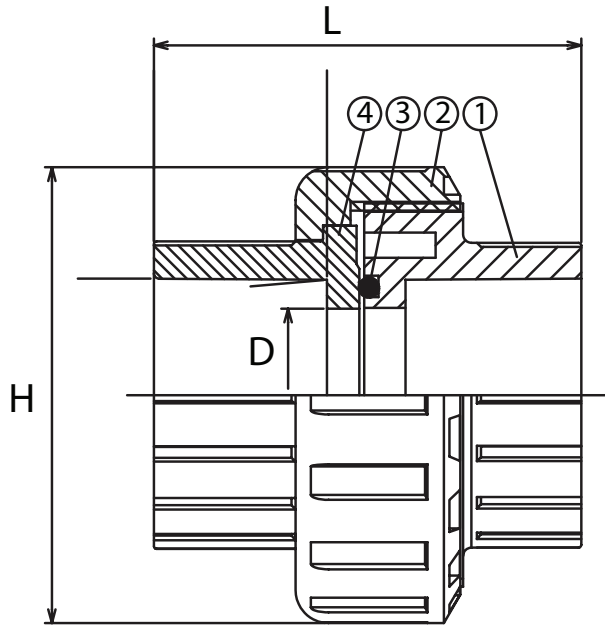
SUBMITTAL DATA SHEET

PVC Union – 2070S

Solvent x Solvent



A.Y. McDonald Mfg. Co. PVC Fittings feature convenience of operation with excellent flow characteristics. A PVC union is used to join two pieces of pipe. Unlike couplings, unions use a gasket seal to create a removable connection between pipe.



Dimensions

Part No.	Model No.	Size	L	D	H
4421-161	2070S	1/2"	2.16	.59	2.07
4421-162	2070S	3/4"	2.51	.78	2.40
4421-163	2070S	1"	2.83	.98	2.79
4421-164	2070S	1 1/4"	3.03	1.25	3.26
4421-165	2070S	1 1/2"	3.38	1.57	3.77
4421-166	2070S	2"	3.74	1.96	4.56

Materials

No.	Part	Material
1	Body	PVC
2	Union Nut	PVC
3	O-ring	EPDM
4	Union End	PVC

SUBMITTAL INFORMATION

- Schedule 80
- Available Sizes: 1/2", 3/4", 1", 1 1/4", 1 1/2 and 2"
- Fits schedule 40 and 80 PVC pipe

Temperature Ratings:

- 150 PSI at 73°F
- 50 PSI at 140°F

NO-LEAD: The weighted average of the wetted surface of this no-lead product contacted by consumable water contains less than one quarter of one percent (0.25%) lead.



A.Y. McDonald Mfg. Co.
4800 Chavenelle Rd
Dubuque, IA 52002

Toll Free: 1-800-292-2737
sales@aymcdonald.com
aymcdonald.com

A.Y. McDonald considers the information on this assembly drawing correct when published. Item and option availability, including specifications, are subject to change without notice.

Submitted by: