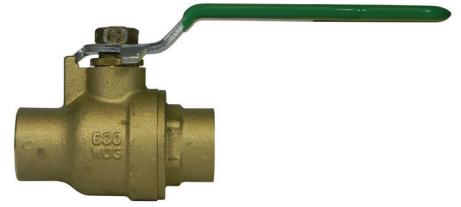


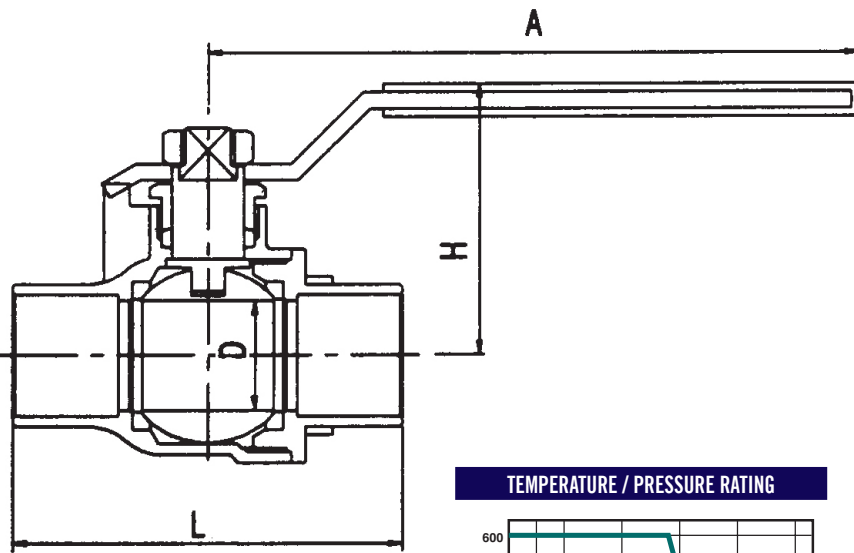
# SUBMITTAL DATA SHEET

## Full Port Ball Valve – 2032S

SWT x SWT



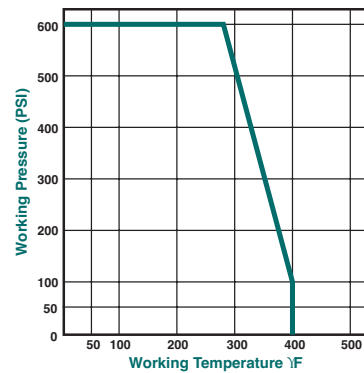
A.Y. McDonald Mfg. Co. Ball Valves are constructed of heavy duty brass and can be used with a full range of liquids and gases in commercial, industrial and residential applications. Full Port valves allow for maximum flow with minimum pressure drop.



### Dimensions

Part No.	Model No.	Size	L	H	D	A
4420-153	2032S	1/2"	1.91	1.52	.50	3.28
4420-154	2032S	3/4"	2.73	1.95	.78	4.60
4420-155	2032S	1"	3.28	2.11	.98	4.60
4421-118	2032S	1 1/4"	3.74	2.57	1.25	5.23
4421-119	2032S	1 1/2"	4.25	2.73	1.48	5.23
4421-120	2032S	2"	5.27	3.43	1.95	7.80
4420-016	2032S	2 1/2"	6.28	4.13	2.36	7.80
4420-017	2032S	3"	7.10	4.49	2.89	7.80

### TEMPERATURE / PRESSURE RATING



### Materials

No.	Part	Material
1	Nut	Steel
2	Handle	Steel
3	Stem Gland Screw	Brass
4	Stem Packing	Teflon
5	Stem	Brass
6	Body 1/2" - 1 1/2" 2" - 4"	Forged Brass Cast Brass
7	Ball Disc Packing	Teflon
8	Ball	Chrome Plated Brass
9	End Plug	Forged Brass

### SUBMITTAL INFORMATION

- 600 WOG
- 150 WSP
- Available Sizes: 1/2", 3/4", 1", 1 1/4", 1 1/2", 2", 2 1/2" and 3"
- Blow out proof stem
- Solder ends comply to ANSI B16.18



Non-Potable Use Only



**A.Y. McDonald Mfg. Co.**  
4800 Chavenelle Rd  
Dubuque, IA 52002

**Toll Free: 1-800-292-2737**  
sales@aymcdonald.com  
aymcdonald.com

A.Y. McDonald considers the information on this assembly drawing correct when published. Item and option availability, including specifications, are subject to change without notice.

Submitted by: