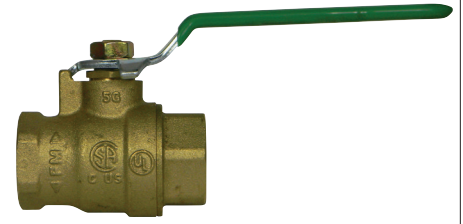


SUBMITTAL DATA SHEET

Full Port Ball Valve – 2032T

FNPT X FNPT



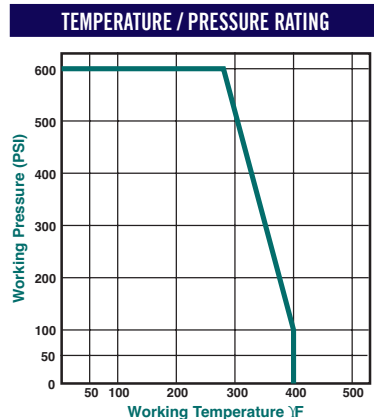
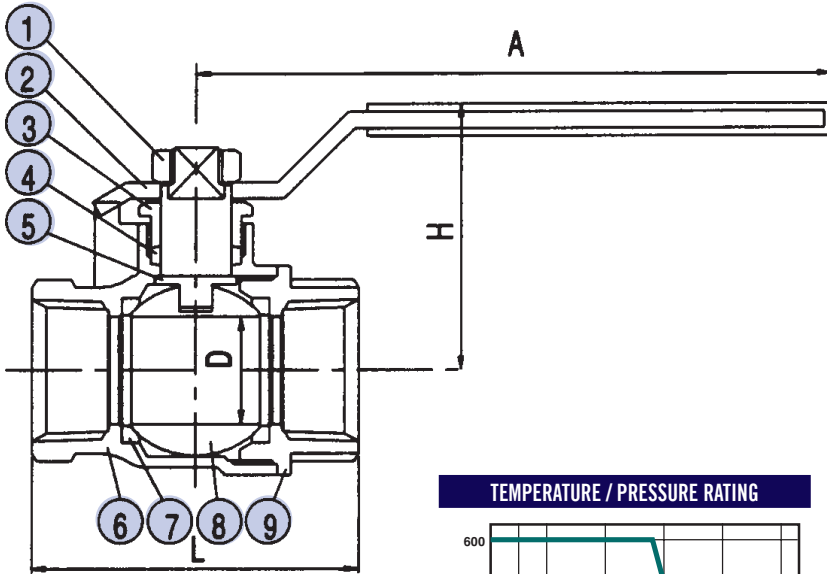
A.Y. McDonald Mfg. Co. Ball Valves are constructed of heavy duty brass and can be used with a full range of liquids and gases in commercial, industrial and residential applications. Full Port valves allow for maximum flow with minimum pressure drop.

Dimensions

Part No.	Model No.	Size	L	H	D	A
4420-006	2032T	1/4"	1.81	1.44	.39	3.28
4420-007	2032T	3/8"	1.81	1.44	.39	3.28
4420-150	2032T	1/2"	1.99	1.52	.50	3.28
4420-151	2032T	3/4"	2.34	1.95	.78	4.60
4420-152	2032T	1"	2.85	2.11	.98	4.60
4421-115	2032T	1 1/4"	3.28	2.57	1.25	5.23
4421-116	2032T	1 1/2"	3.59	2.73	1.48	5.23
4421-117	2032T	2"	4.17	3.43	1.95	7.80
4420-018	2032T	2 1/2"	5.50	4.25	2.38	10.14
4420-019	2032T	3"	6.20	4.60	2.89	10.14
4420-095	2032T	4"	6.45	4.60	3.79	10.14

Materials

No.	Part	Material
1	Nut	Steel
2	Handle	Steel
3	Stem Gland Screw	Brass
4	Stem Packing	Teflon
5	Stem	Brass
6	Body	Forged Brass Cast Brass
	1/2" - 1 1/2"	
	2" - 4"	
7	Ball Disc Packing	Teflon
8	Ball	Chrome Plated Brass
9	End Plug	Forged Brass



SUBMITTAL INFORMATION

- 600 WOG
- 150 WSP
- Available Sizes: 1/4", 3/8", 1/2", 3/4", 1", 1 1/4", 1 1/2", 2", 2 1/2", 3", and 4"

- Threads conform to ANSI B1.20.1
- Blow out proof stem
- 2032T 1/2" - 2" certified to:



Non-Potable Use Only



A.Y. McDonald Mfg. Co.
4800 Chavenelle Rd
Dubuque, IA 52002

Toll Free: 1-800-292-2737
sales@aymcdonald.com
aymcdonald.com

A.Y. McDonald considers the information on this assembly drawing correct when published. Item and option availability, including specifications, are subject to change without notice.

Submitted by: