

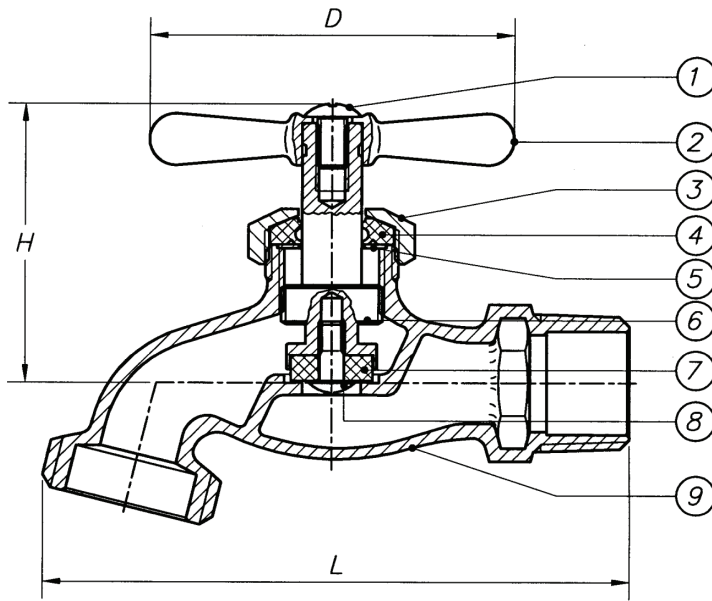
# SUBMITTAL DATA SHEET

No-Lead Low Pressure Valves  
Hose Bib – 72002

MNPT X MGHT



A.Y. McDonald Mfg. Co. No-Lead Low Pressure Valves are constructed from heavy duty no-lead brass and are recommended for residential and commercial applications and positive shut-off with various inlet configurations.



## Materials

No.	Part	Material
1	Handle Bolt	Steel
2	T-Handle	Zinc
3	Bonnet	No-Lead Brass
4	Gland Packing	Rubber
5	Washer	Stainless-Steel
6	Stem	No-Lead Brass
7	Seat Packing	Rubber
8	Seat Screw	No-Lead Brass
9	Body	No-Lead Brass

## Dimensions

Size	H	L	D
1/2"	1.69	3.43	2.20
3/4"	1.69	3.44	2.20

## SUBMITTAL INFORMATION

- 125 WOG
- Available Sizes: 1/2" and 3/4"
- 1/2" is MNPT or SWT Combination
- Complies with NSF/ANSI 372-2010
- NSF 61-8 certified

NO-LEAD: The weighted average of the wetted surface of this no-lead product contacted by consumable water contains less than one quarter of one percent (0.25%) lead.



**A.Y. McDonald Mfg. Co.**  
4800 Chavenelle Rd  
Dubuque, IA 52002

**Toll Free: 1-800-292-2737**  
sales@aymcdonald.com  
aymcdonald.com

A.Y. McDonald considers the information on this assembly drawing correct when published. Item and option availability, including specifications, are subject to change without notice.

**Submitted by:**