

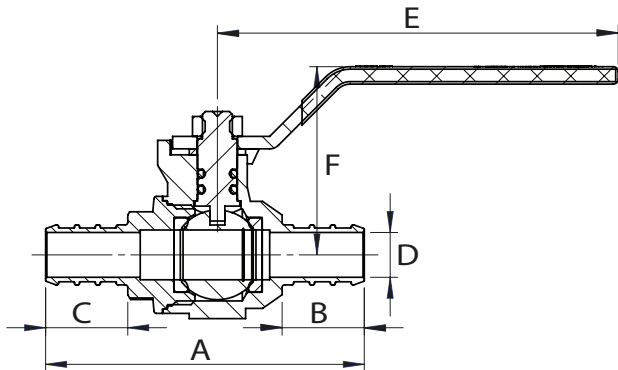
SUBMITTAL DATA SHEET

No-Lead Ball Valves Drop Ear Ball Valve - 72030DEP

PEX x PEX

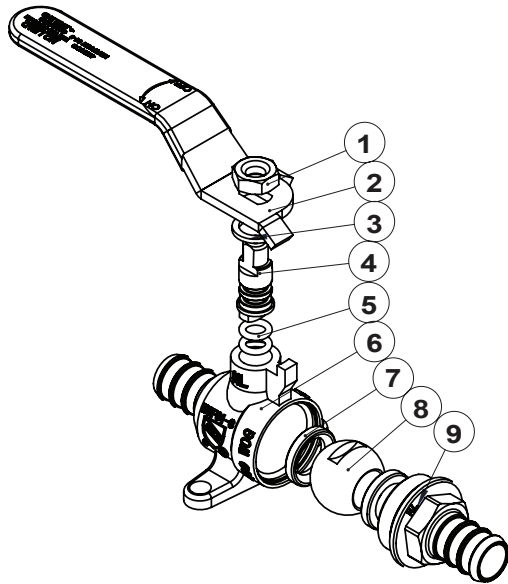


A.Y. McDonald Mfg. Co. No-Lead Ball Valves are constructed from heavy duty no-lead brass and are designed for use with potable water in commercial, industrial, and residential applications.



Dimensions

Size	A	B	C	D	E	F	Weight
1/2"	2.52	0.65	0.65	0.35	3.17	1.49	0.28
3/4"	2.62	0.65	0.65	0.53	3.17	1.57	0.38



Materials

No.	Part	Material
1	Hex-nut	Zinc
2	Handle	Zinc
3	Packing Gland	PTFE
4	Stem	No-Lead Brass
5	O-Ring	EPDM
6	Body	No-Lead Brass
7	Seat	PTFE
8	Ball	No-Lead Brass
9	Bonnet	No-Lead Brass

SUBMITTAL INFORMATION

- Available Sizes: 1/2" and 3/4"
- Double O-ring packing
- Pex ends conform to ASTM F1807
- Blowout proof stem
- 400 CWP
- NSF/ANSI 61 and NSF/ANSI 372
- NSF/ANSI 14-2010a



NO-LEAD: The weighted average of the wetted surface of this no-lead product contacted by consumable water contains less than one quarter of one percent (0.25%) lead.



A.Y. McDonald Mfg. Co.
4800 Chavenelle Rd
Dubuque, IA 52002

Toll Free: 1-800-292-2737
sales@aymcdonald.com
aymcdonald.com

A.Y. McDonald considers the information on this assembly drawing correct when published. Item and option availability, including specifications, are subject to change without notice.

Submitted by: