

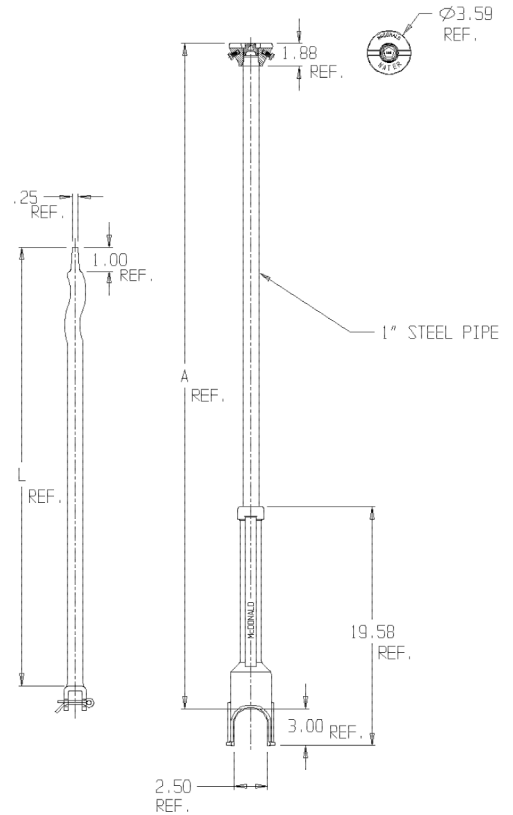
SUBMITTAL DATA SHEET

Curb Boxes – 5607ATW

Arch Pattern



MODEL NO.	SIZE	A-RANGE	5660 ROD LENGTH "L"
5607ATW	2 1/2	1 1/2' TO 2 1/2'	12"
5607ATW	3	2' TO 3'	18"
5607ATW	3 1/2	2 1/2' TO 3 1/2'	24"
5607ATW	4	3' TO 4'	30"
5607ATW	4 1/2	3 1/2' TO 4 1/2'	36"
5607ATW	5	4' TO 5'	42"
5607ATW	5 1/2	4 1/2' TO 5 1/2'	48"
5607ATW	6	5' TO 6'	54"
5607ATW	6 1/2	5 1/2' TO 6 1/2'	60"
5607ATW	7	6' TO 7'	66"
5607ATW	7 1/2	6 1/2' TO 7 1/2'	72"
5607ATW	8	7' TO 8'	78"



SUBMITTAL INFORMATION

- Brass components conform to ASTM B62 and ASTM B584, UNS C83600 -85-5-5-5 (latest revision) or ASTM B584, UNS C84400 -81-3-7-9 (latest revision)
- Lid and Base made of Cast Iron per ASTM A48, Class 25
- Upper Section made of steel pipe
- Coated with black dip
- Made in USA



A.Y. McDonald Mfg. Co.
4800 Chavenelle Rd
Dubuque, IA 52002

Toll Free: 1-800-292-2737
sales@aymcdonald.com
aymcdonald.com

A.Y. McDonald considers the information on this assembly drawing correct when published. Item and option availability, including specifications, are subject to change without notice.

Submitted by: