

SUBMITTAL DATA SHEET

No-Lead
Full Port Gate Valve – 72035T

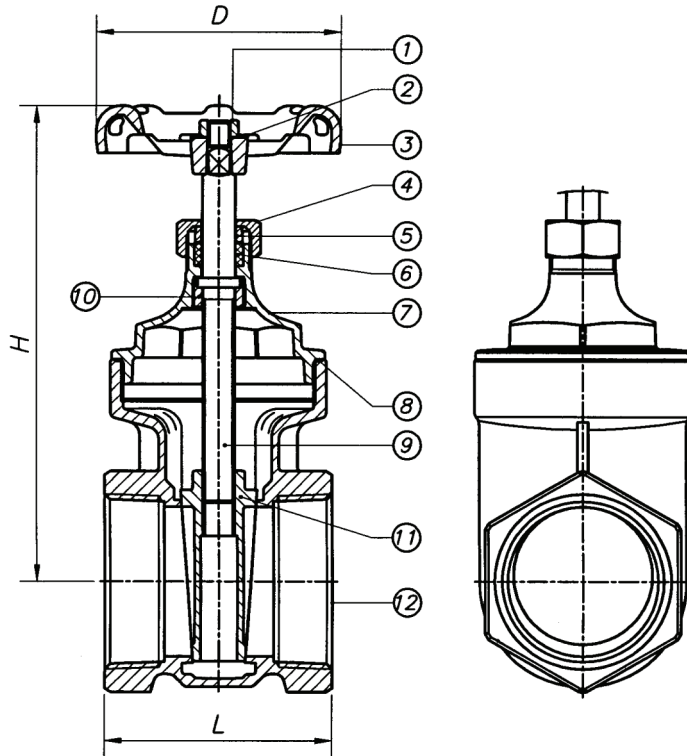
FNPT X FNPT



A.Y. McDonald Mfg. Co. Low Pressure Valves are constructed from heavy duty no-lead brass and are recommended for residential and commercial applications and positive shut-off with various inlet configurations.

Dimensions

Part No.	Model No.	Size	D	H	L
5420-000	72035T	1/4"	2.09	2.91	1.71
5420-001	72035T	3/8"	2.09	2.91	1.71
5420-126	72035T	1/2"	2.09	2.91	1.71
5420-127	72035T	3/4"	2.13	3.31	1.81
5420-128	72035T	1"	2.48	3.90	2.13
5420-129	72035T	1 1/4"	2.72	4.61	2.24
5420-130	72035T	1 1/2"	3.15	5.08	2.44
5420-131	72035T	2"	3.52	5.98	2.70
5421-112	72035T	2 1/2"	3.98	7.87	3.70
5421-113	72035T	3"	4.37	8.82	4.02
5421-114	72035T	4"	5.00	9.88	4.53



Materials

No.	Part	Material
1	Wheel Nut	Steel
2	Name Plate	Aluminum
3	Hand Wheel	Cast Iron
4	Packing Nut	No-Lead Brass
5	Gland Ring	No-Lead Brass
6	Gland Packing	Graphite
7	Bonnet	No-Lead Brass
8	Packing	Fiber "H"
9	Stem	No-Lead Brass
10	Lock Nut	No-Lead Brass
11	Disc	No-Lead Brass
12	Body	No-Lead Brass

SUBMITTAL INFORMATION

- 200 WOG, 125WSP
- Available Sizes: 1/4", 3/8", 1/2", 3/4", 1", 1 1/4", 1 1/2", 2", 2 1/2", 3", and 4"
- Maximum temperature Rating 180°F
- Threads conform to ANSI B1.20.1
- Non-rising stem
- Complies with NSF/ANSI 372-2010
- NSF-61 Annex G

NO-LEAD: The weighted average of the wetted surface of this no-lead product contacted by consumable water contains less than one quarter of one percent (0.25%) lead.



A.Y. McDonald Mfg. Co.
4800 Chavenelle Rd
Dubuque, IA 52002

Toll Free: 1-800-292-2737
sales@aymcdonald.com
aymcdonald.com

A.Y. McDonald considers the information on this assembly drawing correct when published. Item and option availability, including specifications, are subject to change without notice.

Submitted by: