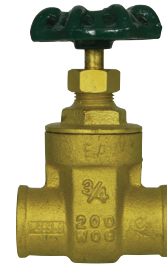


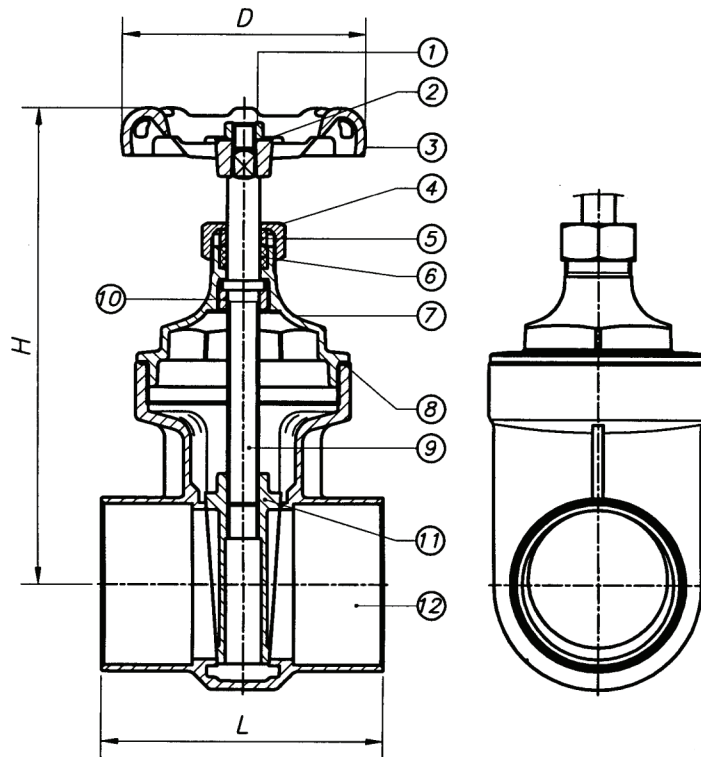
SUBMITTAL DATA SHEET

No-Lead Low Pressure Valves Full Port Gate Valve – 72035S

SWT X SWT



A.Y. McDonald Mfg. Co. No-Lead Low Pressure Valves are constructed from heavy duty no-lead bronze and are recommended for residential and commercial applications and positive shut-off with various inlet configurations.



Dimensions

Part No.	Model No.	Size	D	H	L
5420-132	72035S	1/2"	2.09	2.91	1.69
5420-133	72035S	3/4"	2.13	3.31	2.32
5420-134	72035S	1"	2.48	3.90	2.72
5420-135	72035S	1 1/4"	2.72	4.61	2.93
5420-136	72035S	1 1/2"	3.15	5.08	3.33
5420-137	72035S	2"	3.52	5.98	3.98

Materials

No.	Part	Material
1	Wheel Nut	Steel
2	Name Plate	Aluminum
3	Hand Wheel	Cast Iron
4	Packing Nut	No-Lead Brass
5	Gland Ring	No-Lead Brass
6	Gland Packing	Graphite
7	Bonnet	No-Lead Brass
8	Packing	Fiber "H"
9	Stem	No-Lead Brass
10	Lock Nut	No-Lead Brass
11	Disc	No-Lead Brass
12	Body	No-Lead Brass

SUBMITTAL INFORMATION

- 200 WOG
- 125 WSP
- Available Sizes: 1/2", 3/4", 1", 1 1/4", 1 1/2", and 2"
- Maximum temperature Rating 180°F
- Solder ends conform to ANSI B16.18
- Non-rising stem
- Complies with NSF/ANSI 372-2010

NO-LEAD: The weighted average of the wetted surface of this no-lead product contacted by consumable water contains less than one quarter of one percent (0.25%) lead.



A.Y. McDonald Mfg. Co.
4800 Chavenelle Rd
Dubuque, IA 52002

Toll Free: 1-800-292-2737
sales@aymcdonald.com
aymcdonald.com

A.Y. McDonald considers the information on this assembly drawing correct when published. Item and option availability, including specifications, are subject to change without notice.

Submitted by: