

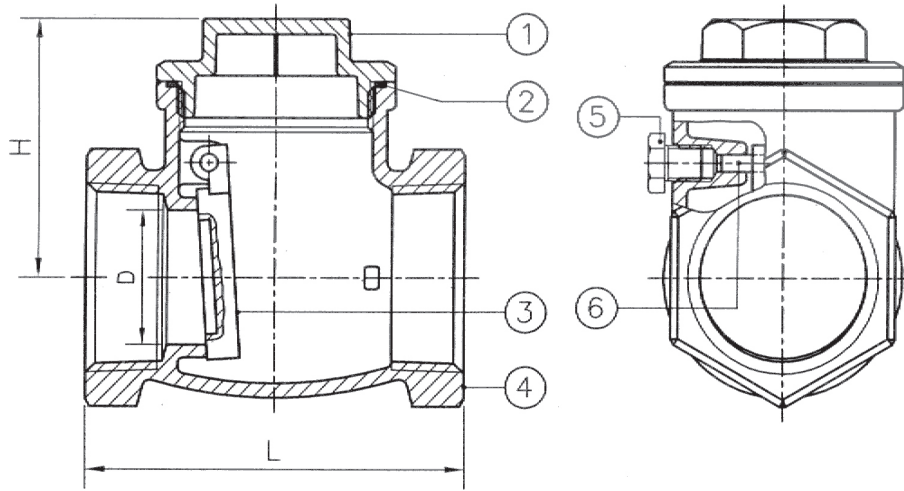
# SUBMITTAL DATA SHEET

## No-Lead Low Pressure Valves Swing Check Valve – 72050T

FNPT X FNPT



A.Y. McDonald Mfg. Co. No-Lead Low Pressure Valves are constructed from heavy duty no-lead brass and are recommended for residential and commercial applications and positive shut-off with various inlet configurations.



### Dimensions

Size	D	H	L
1/2"	0.51	1.42	2.09
3/4"	0.75	1.56	2.36
1"	0.93	1.77	2.62
1 1/4"	1.24	2.07	3.19
1 1/2"	1.38	2.17	3.54
2"	1.79	2.74	4.21
2 1/2"	2.30	3.09	5.14
3"	2.68	3.80	5.77
4"	3.54	4.25	6.84

### Materials

No.	Part	Material
1	Cap/Bonnet	No-Lead Brass (C46400 MOD)
2	Packing	Fiber
3	Disc	No-Lead Brass (C46400 MOD)
4	Body	No-Lead Brass (C46400 MOD)
5	Bolt	No-Lead Brass
6	Pin	No-Lead Brass

### SUBMITTAL INFORMATION

- 200 WOG
- Available Sizes: 1/2", 3/4", 1", 1 1/4", 1 1/2", 2", 2 1/2", 3", and 4"
- Maximum temperature rating: 180°F
- Threads conform to ANSI B1.20.1
- NSF/ANSI 372
- AB 1953
- Metal to metal seat
- Directional
- **Not for wastewater use**

NO-LEAD: The weighted average of the wetted surface of this no-lead product contacted by consumable water contains less than one quarter of one percent (0.25%) lead.



A.Y. McDonald Mfg. Co.  
4800 Chavenelle Rd  
Dubuque, IA 52002

Toll Free: 1-800-292-2737  
sales@aymcdonald.com  
aymcdonald.com

A.Y. McDonald considers the information on this assembly drawing correct when published. Item and option availability, including specifications, are subject to change without notice.

Submitted by: