

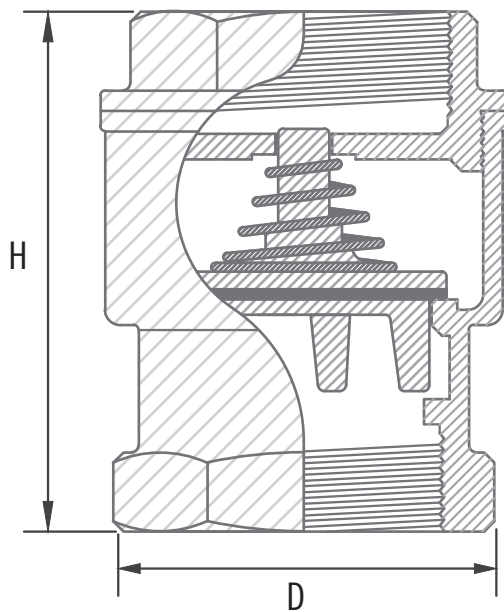
SUBMITTAL DATA SHEET

No-Lead Inline Check Valve
72054T

FNPT X FNPT



A.Y. McDonald Mfg. Co. No-Lead Inline Check Valves have threaded end connections for easy installation. These valves can be used for residential and commercial applications.



Dimensions

Size	H	D
1/2"	2.09	1.22
3/4"	2.32	1.50
1"	2.68	1.89
1 1/4"	3.11	2.17
1 1/2"	3.46	2.60
2"	3.86	3.15

Materials

Part	Material
Body	No-Lead Bronze
End Cap	No-Lead Bronze
Disc	No-Lead Bronze
Spring	Brass B159
Disc Ring	Buna

SUBMITTAL INFORMATION

- 150 CWP
- 250 WOG
- Spring loaded
- Threaded ends comply with ANSI B1.20.1
- Directional
- Rubber seats for silent operation
- **Not recommended for wastewater use**

NO-LEAD: The weighted average of the wetted surface of this no-lead product contacted by consumable water contains less than one quarter of one percent (0.25%) lead.



A.Y. McDonald Mfg. Co.
4800 Chavenelle Rd
Dubuque, IA 52002

Toll Free: 1-800-292-2737
sales@aymcdonald.com
aymcdonald.com

A.Y. McDonald considers the information on this assembly drawing correct when published. Item and option availability, including specifications, are subject to change without notice.

Submitted by: