

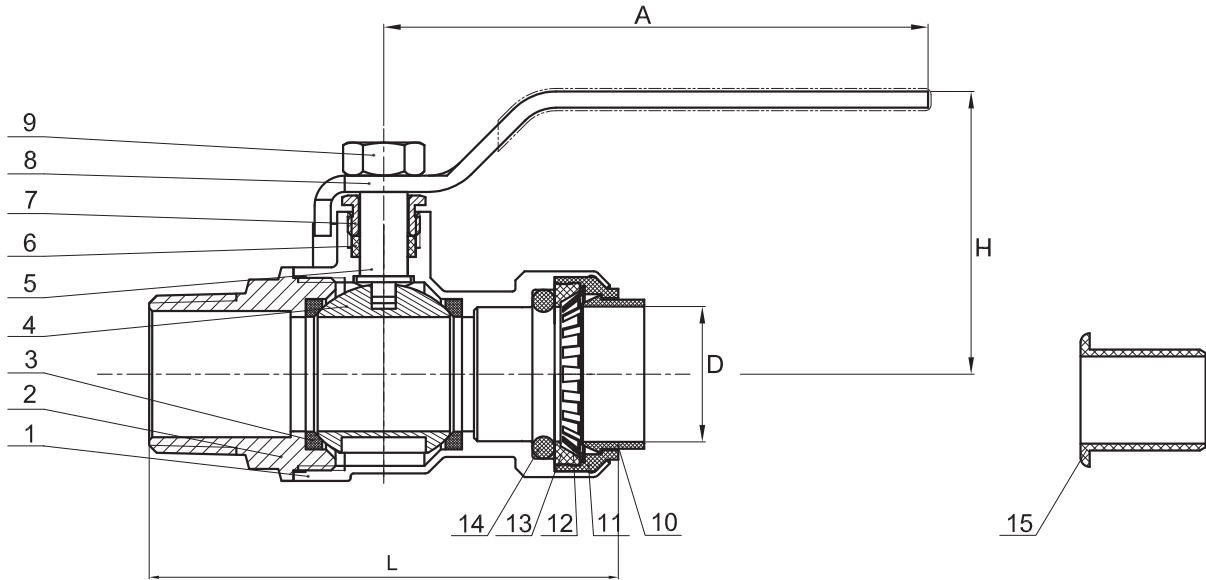
# SUBMITTAL DATA SHEET

## No-Lead Ball Valves Standard Port Ball Valve - 72105M

CTS (Push-Fit) x MNPT



A.Y. McDonald Mfg. Co. No-Lead Push-Fit Valves are designed for use on copper tubing, Pex tubing, and CPVC pipe. Push-Fit end connections eliminate the need for soldering, crimping, or solvent welding and are designed for above ground, indoor water purposes. These heavy duty valves can be used with potable water in commercial, industrial, and residential applications.



### Dimensions

Size	A	D	H	L
3/4"	4.05"	0.88"	1.93"	3.05"

### Materials

No.	Part	Material	No.	Part	Material
1	Body	No-Lead Brass	9	Cross Screw	Stainless-Steel
2	Nut	No-Lead Brass	10	Push Ring	Plastic
3	Washer	PTFE	11	Seat Ring	Plastic
4	Ball	No-Lead Brass	12	Gripper Ring	Stainless-Steel
5	Stem	No-Lead Brass	13	Lock Ring	Plastic
6	Packing	PTFE	14	O-Ring	Plastic
7	Packing Gland	Brass	15	Insert	Heat Resistant Plastic
8	Handle	Carbon Steel			

### SUBMITTAL INFORMATION

#### Push-Fit End Connection:

- Comes with an insert for use on PEX tubing
- Removable with Release Tool (sold separately)
- Fast installation, requiring no special tools
- NO solder, NO flux, NO fire hazards

#### Use Push-Fit with:

- Pex tubing in accordance with ASTM F-876 and F-877
- Copper tubing in accordance with ASTM B88
- CPVC tubing in accordance with ASTM D2846/2846M-99

**NO-LEAD:** The weighted average of the wetted surface of this no-lead product contacted by consumable water contains less than one quarter of one percent (0.25%) lead.



**A.Y. McDonald Mfg. Co.**  
4800 Chavenelle Rd  
Dubuque, IA 52002

**Toll Free: 1-800-292-2737**  
sales@aymcdonald.com  
aymcdonald.com

A.Y. McDonald considers the information on this assembly drawing correct when published. Item and option availability, including specifications, are subject to change without notice.

Submitted by: