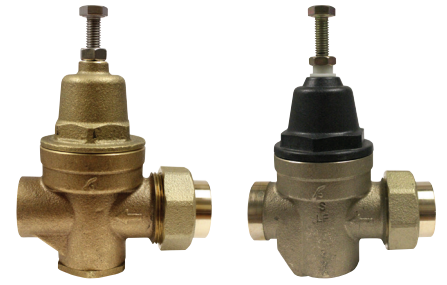


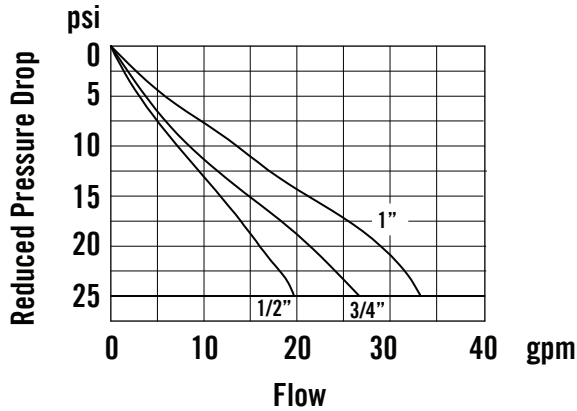
SUBMITTAL DATA SHEET

No-Lead Pressure Reducing Valves 72601T & 72601TPC

FNPT x FNPT Union

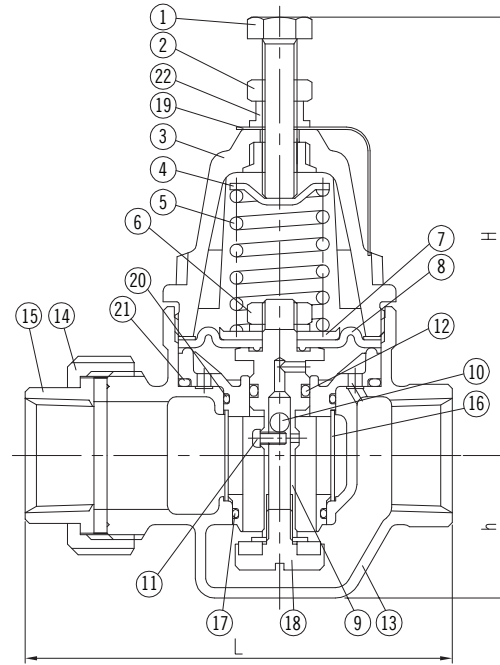


A.Y. McDonald No-Lead compact Water Pressure Reducing Valves are designed to protect a water supply system and its components by reducing water pressure to a reasonable and safe level. With their versatility of installation and many design features, the A.Y. McDonald Water Pressure Reducing Valves can be used for numerous water system applications.



Dimensions

Part No.	Model No.	Size	L	H	h
5424-043	72601T	1/2"	3.90"	3.94"	1.30"
5424-493	72601TPC	1/2"	3.90"	3.94"	1.30"
5424-044	72601T	3/4"	3.90"	3.94"	1.30"
5424-494	72601TPC	3/4"	3.90"	3.94"	1.30"
5424-045	72601T	1"	4.53"	3.94"	1.34"
5424-495	72601TPC	1"	4.53"	3.94"	1.34"



Materials

No.	Part	Material	No.	Part	Material	No.	Part	Material
1	Adjustment Bolt	Stainless-Steel	9	Stem	ASTM C46400	17	Seat O-ring	NBR
2	Lock Nut	Stainless-Steel	10	Rubber Ball	NBR	18	Plunger	No-Lead Brass
3	Bonnet	Brass or PVC	11	Rubber Ball Screw	Stainless-Steel	19	Name Plate	Aluminum
4	Spring Disc	Stainless-Steel	12	Stem O-ring	NBR	20	Sleeve O-ring	NBR
5	Spring	Stainless-Steel	13	Body	No-Lead Brass	21	Sleeve Upper O-ring	NBR
6	Diaphragm Nut	Stainless-Steel	14	Union Nut	Brass	22	Plastic Ring	POM (only for PVC bonnet)
7	Diaphragm Disc	Stainless-Steel	15	Union	No-Lead Brass			
8	Diaphragm	NBR & Nylon	16	Strainer	Stainless-Steel			


SUBMITTAL INFORMATION

- Size: 1/2", 3/4", 1"
- Factory preset at 50 psi outlet pressure
- Adjustable outlet pressure range: 25 to 75 psi
- Installed vertically or horizontally

- Equipped with an Thermal Expansion Bypass
- Integral strainer
- Cold Working Pressure (CWP) - 300 psi
- Maximum Service Temperature - 180°F

Compliance:

- ASSE 1003 

- NSF/ANSI/CAN 61 & 372 

NO-LEAD: The weighted average of the wetted surface of this no-lead product contacted by consumable water contains less than one quarter of one percent (0.25%) lead.



A.Y. McDonald Mfg. Co.
4800 Chavenelle Rd
Dubuque, IA 52002

Toll Free: 1-800-292-2737
sales@aymcdonald.com
aymcdonald.com

A.Y. McDonald considers the information on this assembly drawing correct when published. Item and option availability, including specifications, are subject to change without notice.

Submitted by: