

SUBMITTAL DATA SHEET

Sump, Sewage, & Effluent Pumps
DuraMAC™ | Guardian

5030CVSPCSK Sump Pump

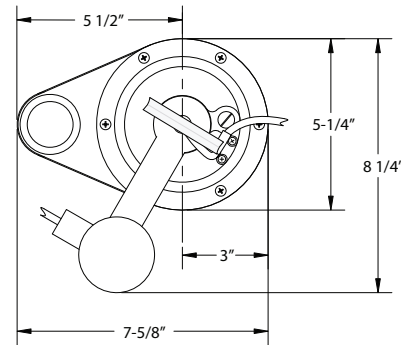
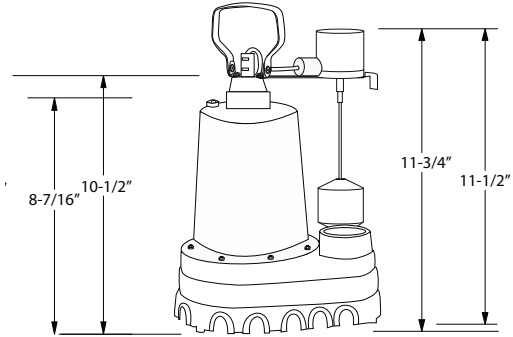
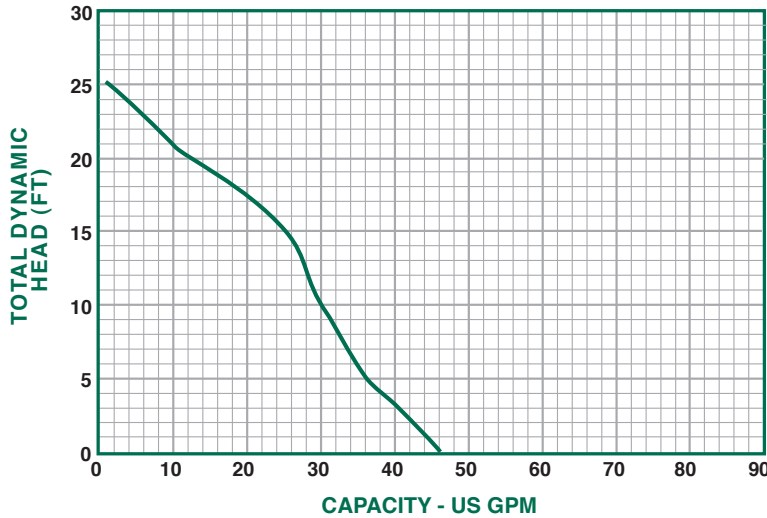


See Pumps & Accessories
Price List for Limited
Warranty details.



With pre-drilled holes in the basin, this sump pump kit can be used for pumping water out of crawl spaces. The kit includes everything pictured on the right.

Performance Curve



Performance

Model	Gallons per Minute in Feet					
	0	5	10	15	20	25
5030CVSP	46	36	30	25	12	1

Specifications

Part No.	Model No.	HP	Volts	Hz	Amps	Construction	Discharge Size	Cord Length	Solids Handling	RPM	Phase	Wt.
6190-171	5030CVSPCSK	3/10	120	60	4.1	Cast Iron	1 1/2"	10'	3/8"	3450	1	34

SUBMITTAL INFORMATION

- 5030CVSP 3/10 HP cast iron sump pump with vertical float switch
- 18.25" x 17.25" Poly basin with slotted cover
- 24' hose - 1 1/4"
- 1.5" x 1.25" Hose adaptor with stainless steel clamp
- Non-clogging stainless steel impeller

NO-LEAD: The weighted average of the wetted surface of this no-lead product contacted by consumable water contains less than one quarter of one percent (0.25%) lead.



A.Y. McDonald Mfg. Co.
4800 Chavenelle Rd
Dubuque, IA 52002

Toll Free: 1-800-292-2737
sales@aymcdonald.com
aymcdonald.com

A.Y. McDonald considers the information on this assembly drawing correct when published. Item and option availability, including specifications, are subject to change without notice.

Submitted by: