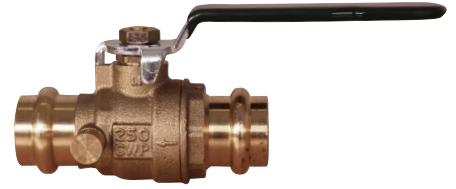


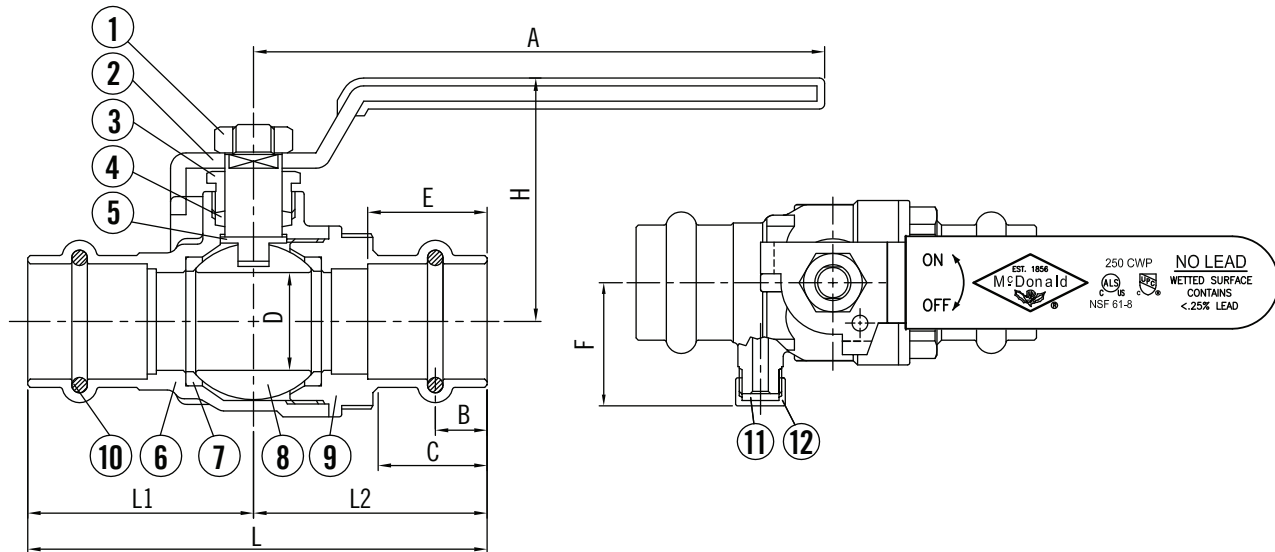
SUBMITTAL DATA SHEET

No-Lead Full Port Ball Valve with Drain - 72028PFD

CTS (Press Fit) x CTS (Press Fit)



A.Y. McDonald Mfg. Co. carries a full line of No-Lead Ball Valves that are constructed of heavy duty no-lead brass and can be used with a full range of liquids and gases in commercial, industrial and residential applications. Full Port valves allow for maximum flow with minimum pressure drop.



Materials

No.	Part	Material
1	Nut	Steel
2	Handle	Steel
3	Stem Gland Screw	Brass
4	Stem Packing	Teflon PTFE
5	Stem	Brass
6	Body	No-Lead Brass
7	Ball Disc Packing	Teflon PTFE
8	Ball Disc	No-Lead Brass
9	End Plug	No-Lead Brass
10	O-ring	EPDM
11	Drain Packing	NBR
12	Drain Cut Nut	Brass

Dimensions

Model	Size	L	H	D	A	B	C	E	L1	L2	F
72028PFD	1/2"	2.87	1.50	0.50	3.15	0.31	0.67	0.71	1.42	1.46	0.91
72028PFD	3/4"	3.48	1.85	0.75	4.33	0.39	0.83	0.91	1.71	1.77	1.10
72028PFD	1"	3.78	2.05	0.98	4.33	0.39	0.83	0.94	1.85	1.93	1.30

SUBMITTAL INFORMATION

- Available Sizes: 1/2", 3/4", 1"
- Blowout proof stem
- 250 PSI Non-Shock Cold Working Pressure
- Forged brass body



NSF 61-8

NO-LEAD: The weighted average of the wetted surface of this no-lead product contacted by consumable water contains less than one quarter of one percent (0.25%) lead.



A.Y. McDonald Mfg. Co.
4800 Chavenelle Rd
Dubuque, IA 52002

Toll Free: 1-800-292-2737
sales@aymcdonald.com
aymcdonald.com

A.Y. McDonald considers the information on this assembly drawing correct when published. Item and option availability, including specifications, are subject to change without notice.

Submitted by: