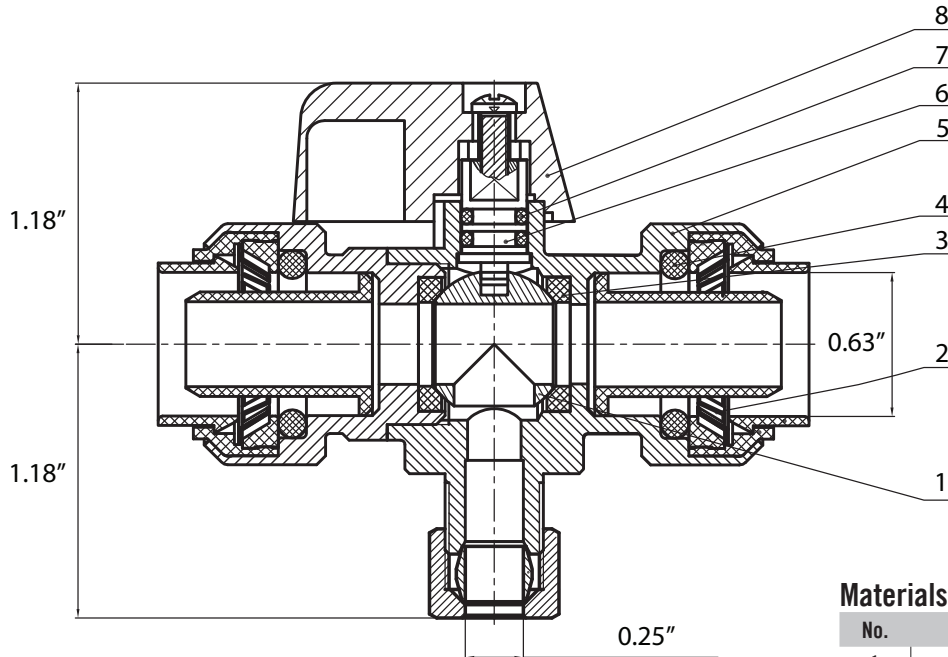


# SUBMITTAL DATA SHEET

No-Lead  
 Quarter Turn Tee Stops - 72084QD  
 CTS (Push-Fit) x CTS (Push-Fit) x Compression



A.Y. McDonald Mfg. Co. Tee Stops are easy to use in tight spaces and do not require any glue, tools, clamps or soldering, for installation. These low pressure ball valves are designed to shutoff the flow of water, without having to shutoff the water to the entire house. They can also be removed and reused by simply using the Release Tool, which is sold separately.



## Materials

No.	Part	Material
1	Ball	No-Lead Brass
2	Gripper Ring	SS 304
3	Washer	PTFE
4	O-Ring	EPDM
5	Body	No-Lead Brass
6	Stem	No-Lead Brass
7	Lock Ring	EPDM
8	Handle	Zinc Alloy

## SUBMITTAL INFORMATION

- Available Size: 1/2" CTS x 1/2" CTS x 1/4" O.D.
- Temperature Rating: 40° to 160°F
- Pressure Rating: 100 PSI
- Blowout Proof Stem
- Can be used with new or existing systems
- Fits on Copper, CTS CPVC and Pex tubing
- The flow of water to fixtures such as ice makers, dishwashers, washing machines, faucets and toilets can be turned on or off by using these valves



**NO-LEAD:** The weighted average of the wetted surface of this no-lead product contacted by consumable water contains less than one quarter of one percent (0.25%) lead.



**A.Y. McDonald Mfg. Co.**  
 4800 Chavenelle Rd  
 Dubuque, IA 52002

**Toll Free:** 1-800-292-2737  
 sales@aymcdonald.com  
 aymcdonald.com

A.Y. McDonald considers the information on this assembly drawing correct when published. Item and option availability, including specifications, are subject to change without notice.

**Submitted by:**