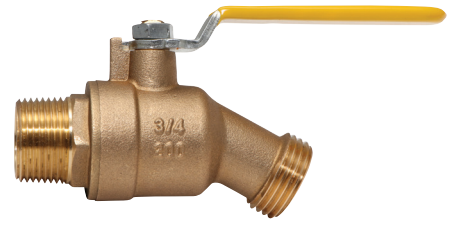


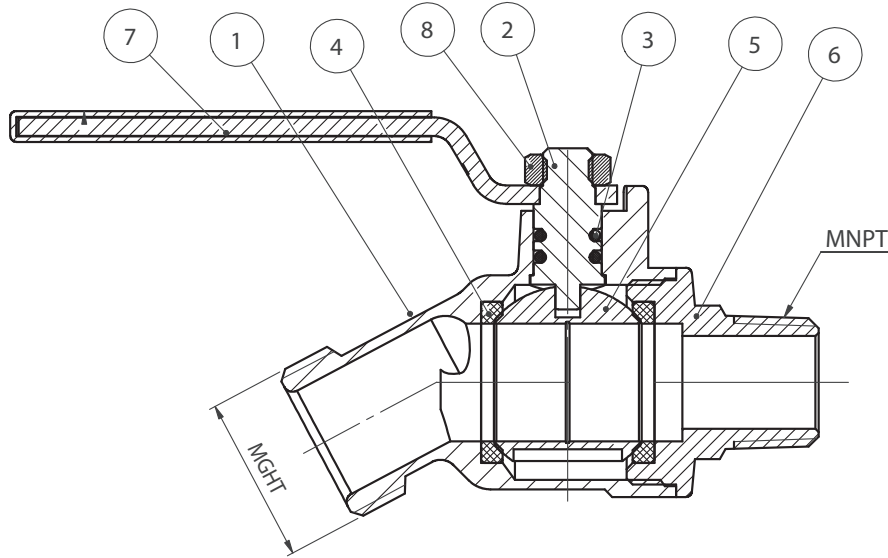
SUBMITTAL DATA SHEET

No-Lead Low Pressure Valves
No-Kink Hose Bibb – 72007BL

MNPT X MGHT



A.Y. McDonald Mfg. Co. No-Lead Low Pressure Valves are constructed from heavy duty no-lead brass and are recommended for residential and commercial applications and positive shut-off with various inlet configurations.



Dimensions

| Size |
|---|
| 1/2" MNPT x 3/4" MGHT with Lever Handle |
| 3/4" MNPT x 3/4" MGHT with Lever Handle |

Materials

| No. | Part | Material |
|-----|------------|------------------------|
| 1 | Valve Body | No-Lead Brass (C46500) |
| 2 | Stem | No-Lead Brass (C46500) |
| 3 | O-ring | NBR Rubber |
| 4 | Seal Ring | PTFE |
| 5 | Ball | No-Lead Brass (C46500) |
| 6 | Bonnet | No-Lead Brass (C46500) |
| 7 | Handle | Zinc Plated Steel |
| 8 | Nut | Zinc Plated Steel |

SUBMITTAL INFORMATION

- 200 WOG
- Quarter Turn Operation
- Available Sizes: 1/2" and 3/4"
- Pressure Rating: 250 PSI



NO-LEAD: The weighted average of the wetted surface of this no-lead product contacted by consumable water contains less than one quarter of one percent (0.25%) lead.



A.Y. McDonald Mfg. Co.
4800 Chavenelle Rd
Dubuque, IA 52002

Toll Free: 1-800-292-2737
sales@aymcdonald.com
aymcdonald.com

A.Y. McDonald considers the information on this assembly drawing correct when published. Item and option availability, including specifications, are subject to change without notice.

Submitted by: