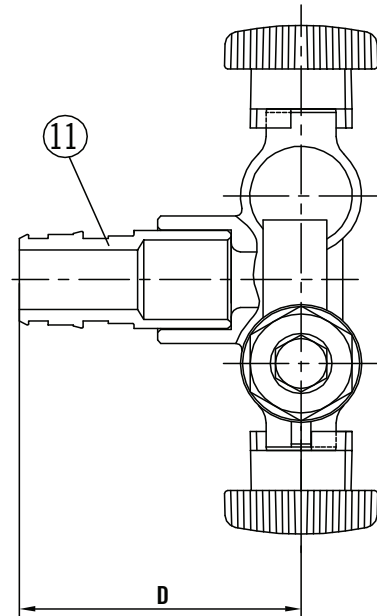
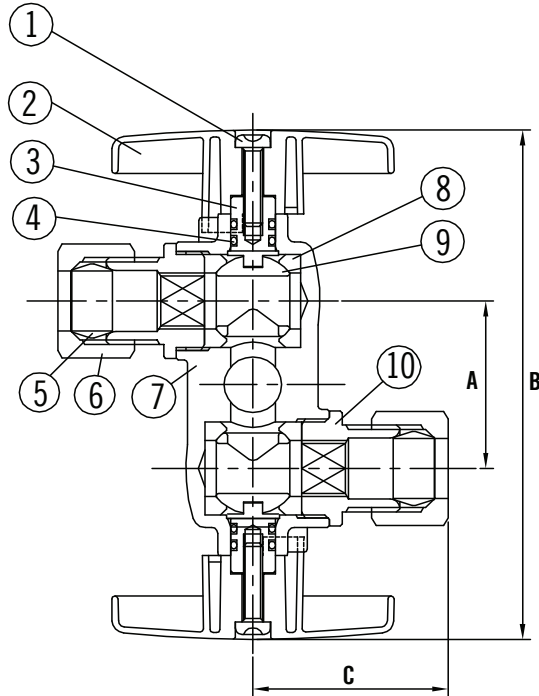


SUBMITTAL DATA SHEET

No-Lead
 Angle Supply Stop - Dual Outlet, Dual Handle - 72082EXPDD
 Expansion Pex x Comp x Comp



Materials

No.	Part	Material	No.	Part	Material
1	Handle Screw	Carbon Steel	7	Body	NL Brass
2	Handle	Zinc	8	Ball Disc Packing	Rubber
3	Stem	NL Brass	9	Ball Disc	NL Brass
4	O-ring	Rubber	10	End Plug	NL Brass
5	Compression Ring	Brass	11	F1960 Pex Fitting	NL Brass
6	Compression Nut	Brass			

Dimensions

Size	A	B	C	D
1/2" x 3/8" x 3/8"	1.06	3.23	1.22	1.75
1/2" x 3/8" x 1/4"	1.06	3.23	1.10	1.75

SUBMITTAL INFORMATION

- Brass stem is assembled from the inside out with two o-rings to ensure safe, reliable performance.
- Easy-to-remove handle with screw attachment helps protect against accidental stop operation during rough-ins
- Pex End Conforms to ASTM F1960



NSF/ANSI/CAN 61/372 Q₂ ≤ 0.5

NO-LEAD: The weighted average of the wetted surface of this no-lead product contacted by consumable water contains less than one quarter of one percent (0.25%) lead.



A.Y. McDonald Mfg. Co.
 4800 Chavenelle Rd
 Dubuque, IA 52002

Toll Free: 1-800-292-2737
 sales@aymcdonald.com
 aymcdonald.com

A.Y. McDonald considers the information on this assembly drawing correct when published. Item and option availability, including specifications, are subject to change without notice.

Submitted by: