

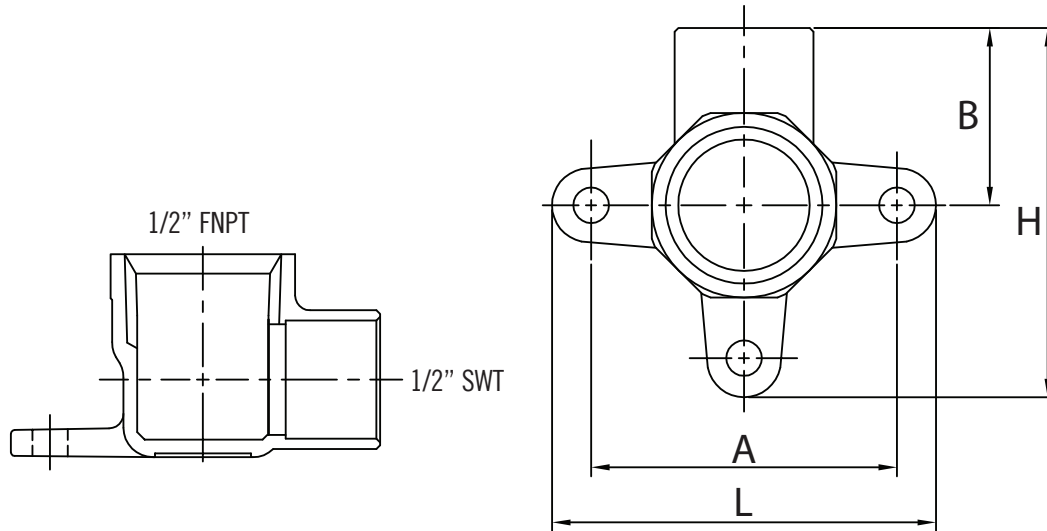
# SUBMITTAL DATA SHEET

No-Lead  
Brass Drop Ear Elbow – 72101

FNPT X SWT



A.Y. McDonald Mfg. Co. No-Lead Drop Ear Elbows creates a 90° connection and allows the transition from Pex tubing to threaded pipe. Drop ear elbows are secured to a stud behind the wall, using the mounting 'ears' which have holes in them. Typically used for installing shower arms and tub spouts, and for use in potable water applications.



## Dimensions

Size	A	B	L	H
1/2"	1.63"	0.94"	2.05"	1.97"

## SUBMITTAL INFORMATION

- Three Ear Design
- Available Size: 1/2"
- No-Lead Brass (C46400)

NO-LEAD: The weighted average of the wetted surface of this no-lead product contacted by consumable water contains less than one quarter of one percent (0.25%) lead.



**A.Y. McDonald Mfg. Co.**  
4800 Chavenelle Rd  
Dubuque, IA 52002

**Toll Free:** 1-800-292-2737  
sales@aymcdonald.com  
aymcdonald.com

A.Y. McDonald considers the information on this assembly drawing correct when published. Item and option availability, including specifications, are subject to change without notice.

**Submitted by:**