

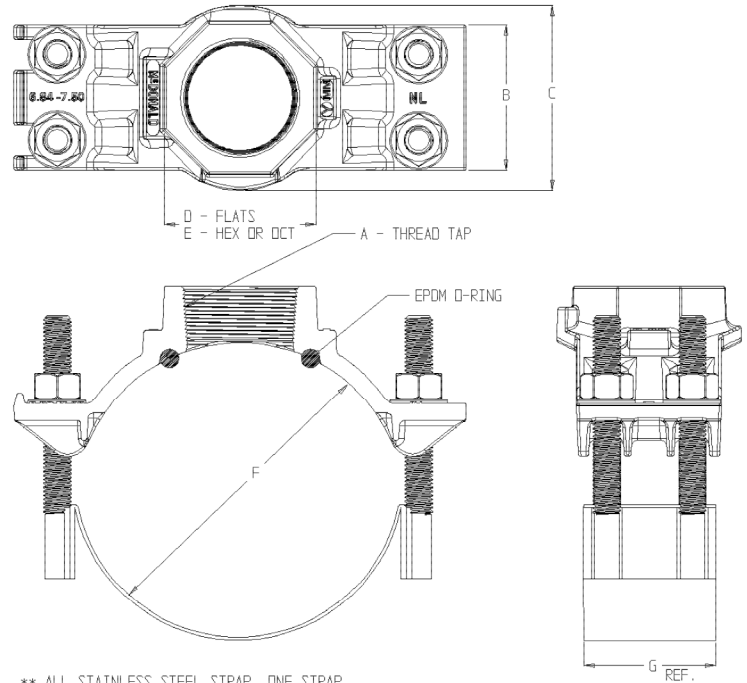
SUBMITTAL DATA SHEET

SS Strap Saddle - 73875

PVC x AWWA/CC



MODEL	SIZE	A	B	C	D	E	F	G	PVC TYPE
73875	4 X 3/4	3/4 AWWA/CC	3.19	3.29	1.69	OCT	4.80	3.00	C900
73875	4 X 1	1 AWWA/CC	3.19	3.29	1.69	OCT	4.80	3.00	C900
73875	4 X 1 1/4	1 1/4 AWWA/CC	3.19	4.19	3.45	OCT	4.80	3.00	C900
73875	4 X 1 1/2	1 1/2 AWWA/CC	3.19	4.19	3.45	OCT	4.80	3.00	C900
73875	4 X 2	2 AWWA/CC	3.19	4.19	3.45	OCT	4.80	3.00	C900
73075	6 X 3/4	3/4 AWWA/CC	3.19	3.29	1.69	OCT	6.90	3.00	C900
73875	6 X 1	1 AWWA/CC	3.19	3.29	1.69	OCT	6.90	3.00	C900
73875	6 X 1 1/4	1 1/4 AWWA/CC	3.19	4.19	3.45	OCT	6.90	3.00	C900
73875	6 X 1 1/2	1 1/2 AWWA/CC	3.19	4.19	3.45	OCT	6.90	3.00	C900
73875	6 X 2	2 AWWA/CC	3.19	4.19	3.45	OCT	6.90	3.00	C900
73875	8 X 3/4	3/4 AWWA/CC	3.19	3.29	1.69	OCT	9.05	3.00	C900
73875	8 X 1	1 AWWA/CC	3.19	3.29	1.69	OCT	9.05	3.00	C900
73875	8 X 1 1/4	1 1/4 AWWA/CC	3.19	4.19	3.45	OCT	9.05	3.00	C900
73875	8 X 1 1/2	1 1/2 AWWA/CC	3.19	4.19	3.45	OCT	9.05	3.00	C900
73875	8 X 2	2 AWWA/CC	3.19	4.19	3.45	OCT	9.05	3.00	C900
73875	10 X 3/4	3/4 AWWA/CC	3.19	3.29	1.69	OCT	11.10	3.48	C900
73875	10 X 1	1 AWWA/CC	3.19	3.29	1.69	OCT	11.10	3.48	C900
73875	10 X 1 1/4	1 1/4 AWWA/CC	3.19	4.19	3.45	OCT	11.10	3.48	C900
73875	10 X 1 1/2	1 1/2 AWWA/CC	3.19	4.19	3.45	OCT	11.10	3.48	C900
73875	10 X 2	2 AWWA/CC	3.19	4.19	3.45	OCT	11.10	3.48	C900
73875	12 X 3/4	3/4 AWWA/CC	3.19	3.29	1.69	OCT	13.20	3.48	C900
73875	12 X 1	1 AWWA/CC	3.19	3.29	1.69	OCT	13.20	3.48	C900
73875	12 X 1 1/4	1 1/4 AWWA/CC	3.19	4.19	3.45	OCT	13.20	3.48	C900
73875	12 X 1 1/2	1 1/2 AWWA/CC	3.19	4.19	3.45	OCT	13.20	3.48	C900
73875	12 X 2	2 AWWA/CC	3.19	4.19	3.45	OCT	13.20	3.48	C900



** ALL STAINLESS STEEL STRAP, ONE STRAP (WITH 4 STUDS WELDED ON) PER ASSEMBLY.

DRAWING MAY NOT RESEMBLE ACTUAL SADDLE CONFIGURATION

SUBMITTAL INFORMATION

- Manufactured in compliance with ANSI/AWWA C800 (latest revision)
- Brass components in contact with potable water conform to ASTM B584, UNS C89833 (latest revision) and identified with "NL"
- 304L Stainless Steel strap(s) and 5/8" studs. Stainless steel nuts (PTFE coated) and washers
- EPDM o-ring
- Pipe and tap size, and thread type identified on saddle
- Outlet boss with large wrench flats



A.Y. McDonald Mfg. CO.
4800 Chavenelle Rd
Dubuque, IA 52002

Toll Free: 1-800-292-2737
sales@aymcdonald.com
aymcdonald.com

A.Y. McDonald considers the information on this assembly drawing correct when published. Item and option availability, including specifications, are subject to change without notice.

Submitted by: