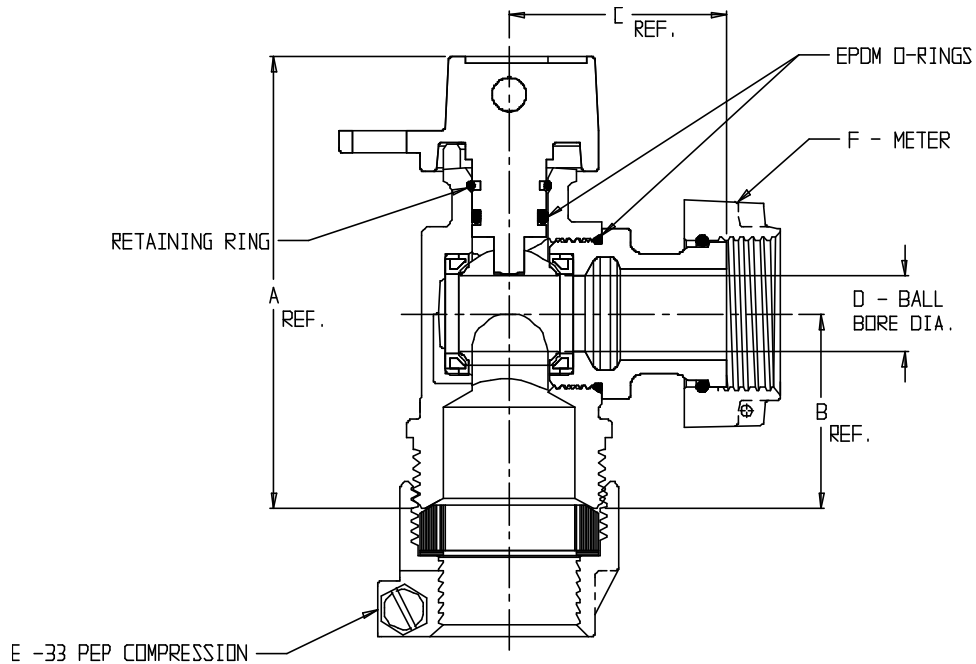


# SUBMITTAL DATA SHEET

## NL Ball Style Meter Stop – 74642B-33

-33 PEP Compression x Meter



| PLATE NO. | SIZE | A    | B    | C    | D   | E   | F                |
|-----------|------|------|------|------|-----|-----|------------------|
| 74642B-33 | 5/8  | 3.72 | 1.60 | 1.77 | .63 | 3/4 | 5/8              |
| 74642B-33 | 3/4  | 3.72 | 1.60 | 1.80 | .63 | 3/4 | 5/8 X 3/4 OR 3/4 |
| 74642B-33 | 1    | 4.97 | 2.55 | 1.85 | .75 | 1   | 1                |

### SUBMITTAL INFORMATION

- Manufactured in compliance with ANSI/AWWA C800 (latest revision)
- Brass components in contact with potable water conform to ASTM B584, UNS C89833 (latest revision) and identified with "NL"
- Certified to NSF/ANSI 61 and NSF/ANSI 372
- Brass components not in contact with potable water conform to ASTM B62 and ASTM B584, UNS C83600 -85-5-5-5 (latest revision)
- PTFE coated brass ball
- Valve rated for 300 PSIG water pressure, end connections not to exceed rated pipe pressures.
- Blow out proof EPDM port seals
- End piece joint sealed with an EPDM o-ring and thread locker
- Insert stiffeners required on all flexible plastic connections



**A.Y. McDonald Mfg. Co.**  
4800 Chavenelle Rd  
Dubuque, IA 52002

**Toll Free: 1-800-292-2737**  
sales@aymcdonald.com  
[aymcdonald.com](http://aymcdonald.com)

A.Y. McDonald considers the information on this assembly drawing correct when published. Item and option availability, including specifications, are subject to change without notice.

**Submitted by:**