

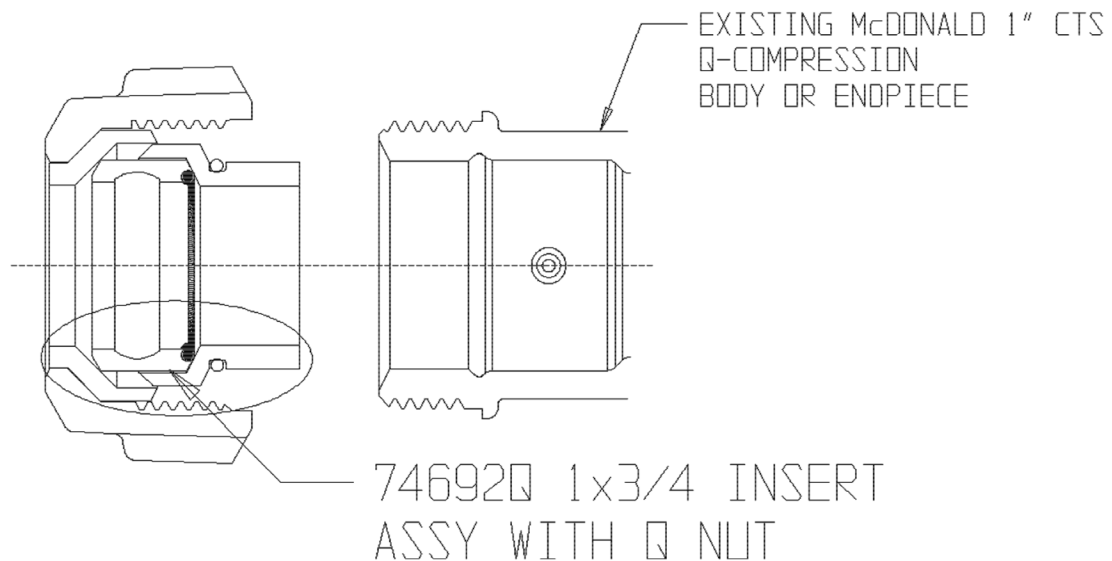
# SUBMITTAL DATA SHEET

NL Service Fitting – 74692Q 1x3/4

CTS Compression to CTS Compression



NOTE: A Y McDONALD CTS COMPRESSION TO COMPRESSION INSERTS (MODEL 74692Q 1x3/4) ARE DESIGNED EXCLUSIVELY FOR USE WITH A Y McDONALD CTS COMPRESSION ENDS. A Y McDONALD ASSUMES NO LIABILITY FOR ANY OTHER USE.



## SUBMITTAL INFORMATION

- Manufactured in compliance with ANSI/AWWA C800 (latest revision)
- Brass components in contact with potable water conform to ASTM B584, UNS C89833 (latest revision) and identified with "NL"
- Certified to NSF/ANSI 61 and NSF/ANSI 372
- Brass components not in contact with potable water conform to ASTM B62 and ASTM B584, UNS C83600 -85-5-5-5 (latest revision)
- Large wrench flats provided for proper installation



**A.Y. McDonald Mfg. Co.**  
4800 Chavenelle Rd  
Dubuque, IA 52002

**Toll Free: 1-800-292-2737**  
sales@aymcdonald.com  
[aymcdonald.com](http://aymcdonald.com)

A.Y. McDonald considers the information on this assembly drawing correct when published. Item and option availability, including specifications, are subject to change without notice.

**Submitted by:**

02-18