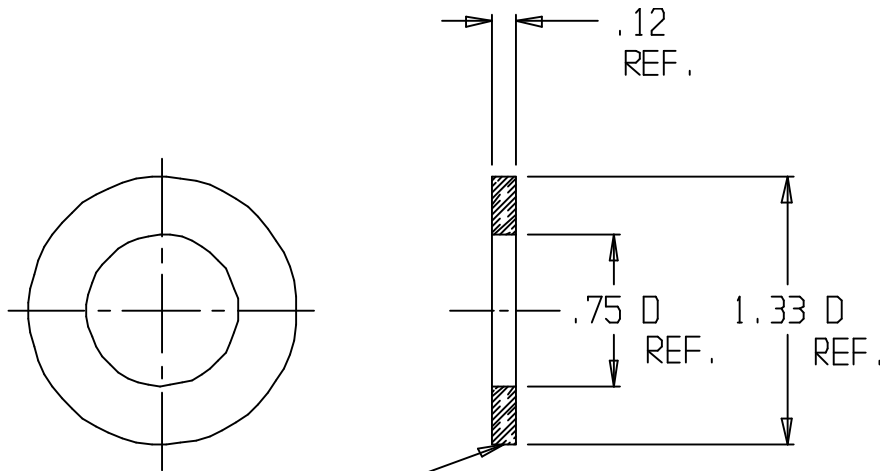


SUBMITTAL DATA SHEET

Iron Meter Yoke – 14-2G

Star Nut Gasket



5/8" X 3/4" OR
3/4" YOKE

SUBMITTAL INFORMATION

- Manufactured in compliance with ANSI/AWWA C800 (latest revision)
- Made in the United States of America
- EDPM Rubber – NSF 61 Approved



A.Y. McDonald Mfg. Co.
4800 Chavenelle Rd
Dubuque, IA 52002

Toll Free: 1-800-292-2737
sales@aymcdonald.com
aymcdonald.com

A.Y. McDonald considers the information on this assembly drawing correct when published. Item and option availability, including specifications, are subject to change without notice.

Submitted by: