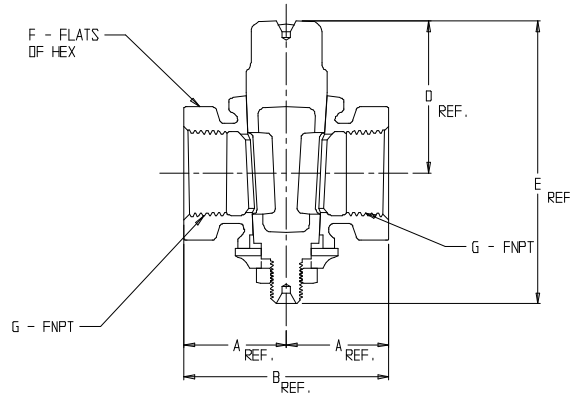
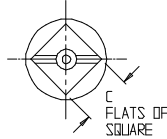


SUBMITTAL DATA SHEET

NL Plug Style Curb Stop – 79802W

FNPT x FNPT



MODEL NO.	SIZE	A	B	C	D	E	F	G
79802W	1/2	1.09	2.18	.46	1.37	2.71	1.09	1/2
79802W	3/4	1.22	2.44	.59	1.81	2.93	1.38	3/4
79802W	1	1.44	2.88	.68	1.98	3.75	1.75	1
79802W	1 1/4	1.75	3.50	.78	2.41	4.50	2.13	1 1/4
79802W	1 1/2	1.80	3.60	1.00	2.74	5.29	2.25	1 1/2
79802W	2	2.31	4.62	1.20	3.24	6.21	2.94	2
79802W	2 1/2	2.75	5.50	1.47	3.59	6.78	3.50	2 1/2

SUBMITTAL INFORMATION

- Manufactured in compliance with ANSI/AWWA C800 (latest revision)
- Brass components in contact with potable water conform to ASTM B584, UNS C89833 (latest revision) and identified with “NL”
- Certified to NSF/ANSI 61 and NSF/ANSI 372
- Brass components not in contact with potable water conform to ASTM B62 and ASTM B584, UNS C83600 -85-5-5-5 (latest revision)
- Large wrench flats provided for proper installation
- 1/2” – 1” rated for 100 PSIG water pressure
- 1 1/4” – 2 1/2” rated for 80 PSIG water pressure



A.Y. McDonald Mfg. Co.
4800 Chavenelle Rd
Dubuque, IA 52002

Toll Free: 1-800-292-2737
sales@aymcdonald.com
aymcdonald.com

A.Y. McDonald considers the information on this assembly drawing correct when published. Item and option availability, including specifications, are subject to change without notice.

Submitted by: