

# SUBMITTAL DATA SHEET

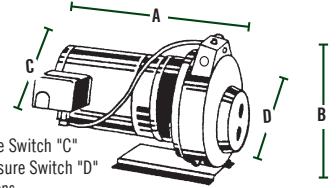
Jet Pumps  
Convertible | Shallow Well

## 8200 Series - Convertible



A.Y. McDonald offers a full line of shallow well and convertible jet pumps built for years of trouble free operation, with high-efficiency impellers and diffusers. The 8200 series convertible capacity is up to 65 gallons per minute (GPM) and pressures to 80 PSI.

All 8200 Series Convertible Pumps come with a 1 1/4" suction pipe and 1" top or side discharge. The sizes range from 1/2 to 1 horsepower (HP).



Overall Length "A"  
Overall Height "B"  
Overall Width with Pressure Switch "C"  
Overall Width without Pressure Switch "D"  
\*See table to left for dimensions.

### Models Available

Part No.	Model No.	HP	Volt	*Max. Amps	Impeller	A	B	C	D	WT
6161-101	8250	1/2	<b>115/230</b>	11.2	plastic	15.5"	10"	10.5"	8"	42
6161-100	8251	1/2	<b>115/230</b>	11.2	brass	15.5"	10"	10.5"	8"	44
6162-105	8270	3/4	<b>230/115</b>	7.4	plastic	15"	10"	10.5"	8"	45
6162-100	8271	3/4	<b>230/115</b>	7.4	brass	15"	10"	10.5"	8"	47
6163-105	8210	1	<b>230/115</b>	8.8	plastic	15.5"	10"	10.5"	8"	48
6163-100	8211	1	<b>230/115</b>	8.8	brass	15.5"	10"	10.5"	8"	50

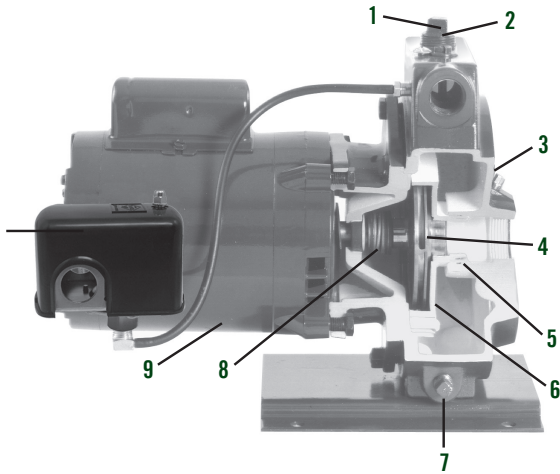
### Shallow Well Performance without Jet Ejector

Model No.	HP	Jet Ejector*	Suction Lift - Ft.	10	15	20	25	30	35	MAX Shut Off Pressure
8250	1/2	Without	10	49.5	47	39.5	25	11		34
8251		Jet	20	45	40.5	28	11.5			
8270	3/4	Without	10	60	58	56	51.5	40		38
8271		Jet	20	52	52	50	41	19		
8210	1	Without	10	65	63	61	57	50	41.5	42
8211		Jet	20	54	53.5	52	48	41	26	

Factory Voltage Setting listed first in bold type.

\*Maximum Amp. draw at factory voltage setting.

- See pump catalog for required Jet Ejectors



- 1 - Zinc Plated Plug  
(With Pressure Gauge Tap & 1/4" plug)
- 2 - Internal Regulating Valve  
(Manual adjustment for deep well only)
- 3 - Cast Iron Pump Body & Motor Adapter
- 4 - Impeller  
Available in either dynamically balanced bronze or engineered thermoplastic
- 5 - Buna-N O-ring (In Body)
- 6 - Diffuser  
Multi-volute engineered thermoplastic diffuser for maximum capacity and pressure
- 7 - Drain Plug
- 8 - Shaft Seal  
Standard 5/8" ceramic carbon rotating mechanical seal
- 9 - Standard, Capactor Start, Nema J Motor  
Built to NEMA specifications by nationally known manufacturers to assure local service availability. Choice of 1/2, 3/4 and 1 H.P. 60 Hz.
- 10 - Pressure Switch  
Easily adjusted for higher or lower operating pressures

### SUBMITTAL INFORMATION

- Pressure switch factory settings:  
1/2 HP High Capacity = 20-40 PSI  
All 3/4 and 1 HP = 30-50 PSI
- Nema J (Threaded Shaft) Motor 7/16" - 20 Threads
- Two pipe tappings 1" x 1 1/4"
- \* Maximum Amp. Draw at factory voltage setting.

NO-LEAD: The weighted average of the wetted surface of this no-lead product contacted by consumable water contains less than one quarter of one percent (0.25%) lead.



A.Y. McDonald Mfg. Co.  
4800 Chavenelle Rd  
Dubuque, IA 52002

Toll Free: 1-800-292-2737  
sales@aymcdonald.com  
aymcdonald.com

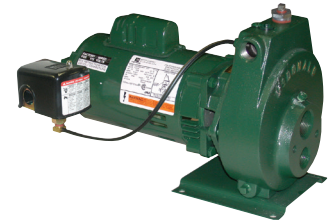
A.Y. McDonald considers the information on this assembly drawing correct when published. Item and option availability, including specifications, are subject to change without notice.

Submitted by:

# SUBMITTAL DATA SHEET

Jet Pumps  
Convertible | Shallow Well

## 8200 Series - Convertible



### 8200 Series - Convertible | Shallow Well Performance

Model No.	HP	Jet Ejector*	Suction Lift - Ft.	Capacities in GPM at Discharge Pressure (PSI)						MAX Shut Off Pressure
				20	30	40	50	60	70	
8250 8251	1/2	651-JP Hi-Capacity	5	15.6	15.6	8.6	2.3			58
			15	11.7	11.7	6.5	1.2			
			25	6.6	6.6	4.7				
		655-JP Hi-Pressure	5	7.6	7.6	7.1	5.7	2.7		74
			15	5.5	5.5	5.4	4.3	2.0		
			25	3.7	3.7	3.6	2.9			
8270 8271	3/4	652-JP Hi-Capacity	5	18.8	18.8	16.2	8.8			61
			15	14.4	14.4	12.3	3.9			
			25	8.6	8.6	7.3	2.7			
		656-JP Hi-Pressure	5	9.7	9.4	9.4	7.8	4.2		75
			15	7.1	7.0	7.0	5.9	2.9		
			25	4.7	4.6	4.6	3.8	2.1		
8210 8211	1	653-JP Hi-Capacity	5	24.2	24.0	23.0	15.0			64
			15	20.1	18.6	18.4	10.9			
			25	11.6	11.4	11.3	4.7			
		657-JP Hi-Pressure	5	13.3	13.3	13.3	12.7	9.2	3.0	80
			15	10.0	10.0	10.0	9.4	6.5	2.4	
			25	6.2	6.2	6.2	6.0	4.3	1.8	

\*Jet Ejectors must be ordered separately

### 8200 Series - Convertible | Deep Well Performance at 20 PSI | For 20-40 PSI Pressure Switch Setting

Model No.	HP	Well Casing Size	Jet Ejector*	Capacities in GPM at Discharge Pressure (PSI)										
				30	40	50	60	70	80	90	100	110	120	
8250 8251	1/2	4"	7508-JP	12.7	10.5	8.8								
		4"	7509-JP		9.3	8.1	6.3	5.0	4.0					
		2"	7735-JP	11.3	9.4	7.9								
		2"	7736-JP		8.3	7.3	5.7	4.6						
8270 8271	3/4	4"	7901-JP	16.1	13.0	9.6								
		4"	7906-JP			9.9	8.4	6.5	5.1					
		4"	7907-JP						4.7	3.9	3.3	2.5		
		2"	7808-JP	14.3	11.6	8.5								
		2"	7812-JP			8.9	7.5	5.8	4.6					
		2"	7813-JP						4.2	3.6	2.9	2.2		
8210 8211	1	4"	7901-JP	16.8	14.3	11.9								
		4"	7902-JP			11.8	9.9	8.1	6.3					
		4"	7903-JP						5.5	4.8	4.3	3.5	2.8	
		2"	7808-JP	15.0	12.9	10.7								
		2"	7809-JP			10.4	8.8	7.2	5.6					
		2"	7810-JP						4.8	4.2	3.8	3.1	2.6	

\*Jet Ejectors must be ordered separately

NO-LEAD: The weighted average of the wetted surface of this no-lead product contacted by consumable water contains less than one quarter of one percent (0.25%) lead.



**A.Y. McDonald Mfg. Co.**  
4800 Chavenelle Rd  
Dubuque, IA 52002

**Toll Free: 1-800-292-2737**  
sales@aymcdonald.com  
aymcdonald.com

A.Y. McDonald considers the information on this assembly drawing correct when published. Item and option availability, including specifications, are subject to change without notice.

**Submitted by:**