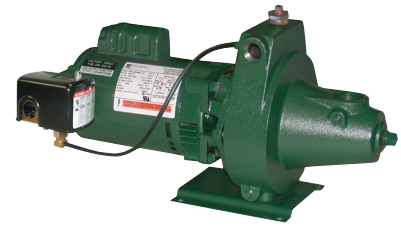


SUBMITTAL DATA SHEET

Jet Pumps
Convertible | Shallow Well

8100 Series - Shallow Well

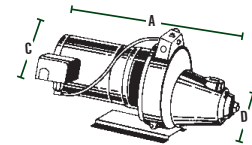


A.Y. McDonald offers a full line of shallow well and convertible jet pumps built for years of trouble free operation, with high-efficiency impellers and diffusers. The 8100 series shallow well capacity is up to 25 gallons per minute (GPM) and pressures to 80 PSI.

All 8100 Series Shallow Well Pumps come with a 1 1/4" suction pipe and 1" top or side discharge. The sizes range from 1/2 to 1 horsepower (HP).

Models Available High Capacity

Part No.	Model No.	HP	Volt	*Max. Amps	Switch	Impeller	A	B	C	D	WT
6156-101	8150	1/2	115/230	11.2	20/40	plastic	20"	10"	10.5"	8"	45
6156-100	8151	1/2	115/230	11.2	20/40	brass	20"	10"	10.5"	8"	46
6157-106	8170	3/4	230/115	7.4	30/50	plastic	19.5"	10"	10.5"	8"	48
6157-100	8171	3/4	230/115	7.4	30/50	brass	19.5"	10"	10.5"	8"	50
6158-106	8110	1	230/115	8.8	30/50	plastic	20"	10"	10.5"	8"	51
6158-100	8111	1	230/115	8.8	30/50	brass	20"	10"	10.5"	8"	53



Overall Length "A" | Overall Height "B"
Overall Width with Pressure Switch "C"
Overall Width without Pressure Switch "D"
*See table to left for dimensions.

High Pressure

Part No.	Model No.	HP	Volt	*Max. Amps	Switch	Impeller	A	B	C	D	WT
6156-115	8150HP	1/2	115/230	11.2	30/50	plastic	20"	10"	10.5"	8"	46
6156-114	8151HP	1/2	115/230	11.2	30/50	brass	20"	10"	10.5"	8"	47
6157-107	8170HP	3/4	230/115	7.4	30/50	plastic	19.5"	10"	10.5"	8"	49
6157-105	8171HP	3/4	230/115	7.4	30/50	brass	19.5"	10"	10.5"	8"	49
6158-107	8110HP	1	230/115	8.8	30/50	plastic	20"	10"	10.5"	8"	52
6158-105	8111HP	1	230/115	8.8	30/50	brass	20"	10"	10.5"	8"	53

Factory Voltage Setting listed first in bold type.

SUBMITTAL INFORMATION

- Pressure switch factory settings:
1/2 HP High Capacity = 20-40 PSI
1/2 HP High Pressure = 30-50 PSI
- Nema J (Threaded Shaft) Motor 7/16" - 20 Threads
- All 3/4 and 1 HP = 30-50 PSI
- * Maximum Amp. Draw at factory voltage setting.

NO-LEAD: The weighted average of the wetted surface of this no-lead product contacted by consumable water contains less than one quarter of one percent (0.25%) lead.



A.Y. McDonald Mfg. Co.
4800 Chavenelle Rd
Dubuque, IA 52002

Toll Free: 1-800-292-2737
sales@aymcdonald.com
aymcdonald.com

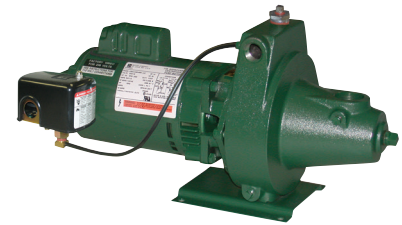
A.Y. McDonald considers the information on this assembly drawing correct when published. Item and option availability, including specifications, are subject to change without notice.

Submitted by:

SUBMITTAL DATA SHEET

Jet Pumps
Convertible | Shallow Well

8100 Series - Shallow Well



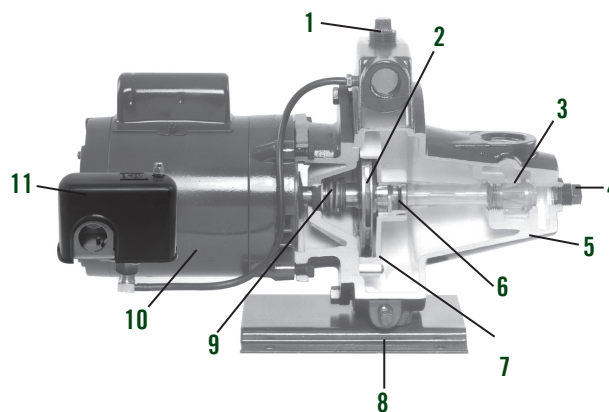
High Capacity | Shallow Well

Model No.	HP	Suction Lift - Ft.	Capacities in GPM at Discharge Pressure (PSI)				MAX Shut Off Pressure
			20	30	40	50	
8150	1/2	5	15.6	15.6	8.6	2.3	58
8151		15	11.7	11.7	6.5	1.2	
		25	6.6	6.6	4.7	--	
8170	3/4	5	18.8	18.8	16.2	8.8	64
8171		15	14.4	14.4	12.3	3.9	
		25	8.6	8.6	7.3	2.7	
8110	1	5	24.2	24.0	23.0	15.0	64
8111		15	20.1	18.6	18.4	10.9	
		25	11.6	11.4	11.3	4.7	

High Pressure | Shallow Well

Model No.	HP	Suction Lift - Ft.	Capacities in GPM at Discharge Pressure (PSI)					MAX Shut Off Pressure
			30	40	50	60	70	
8150HP	1/2	5	7.6	7.1	5.7	2.7		70
8151HP		15	5.5	5.4	4.3	2.0		
		25	3.7	3.6	2.9			
8170HP	3/4	5	9.4	9.4	7.8	4.2		74
8171HP		15	7.0	7.0	5.9	2.9		
		25	4.6	4.6	3.8	2.1		
8110HP	1	5	13.4	13.4	12.7	9.2	3.0	80
8111HP		15	10.0	10.0	9.4	6.5	2.4	
		25	6.2	6.2	6.0	4.3	1.8	

- 1 - Zinc Plated Plug
(With Pressure Gauge Tap & 1/4" plug)
- 2 - Impeller
Available in either dynamically balanced bronze or engineered thermoplastic
- 3 - Nozzle-Venturi (Jet Ejector) Assembly
Unitized construction made of non-distorting Polycarbonate with excellent heat resistance
- 4 - Zinc Plated Nozzle Clean-out Plug
- 5 - Cast Iron Pump Body & Motor Adapter
- 6 - Buna-N O-ring (On Venturi)
- 7 - Diffuser
Multi-volute engineered thermoplastic diffuser for maximum capacity and pressure



- 8 - Drain Plug
- 9 - Shaft Seal
Standard 5/8" ceramic carbon rotating mechanical seal
- 10 - Standard, Capacitor Start, Nema J Motor
Built to NEMA specifications by nationally known manufacturers to assure local service availability. Choice of 1/2, 3/4 and 1 H.P. 60 Hz.
- 11 - Pressure Switch
Easily adjusted for higher or lower operating pressures

NO-LEAD: The weighted average of the wetted surface of this no-lead product contacted by consumable water contains less than one quarter of one percent (0.25%) lead.



A.Y. McDonald Mfg. Co.
4800 Chavenelle Rd
Dubuque, IA 52002

Toll Free: 1-800-292-2737
sales@aymcdonald.com
aymcdonald.com

A.Y. McDonald considers the information on this assembly drawing correct when published. Item and option availability, including specifications, are subject to change without notice.

Submitted by: