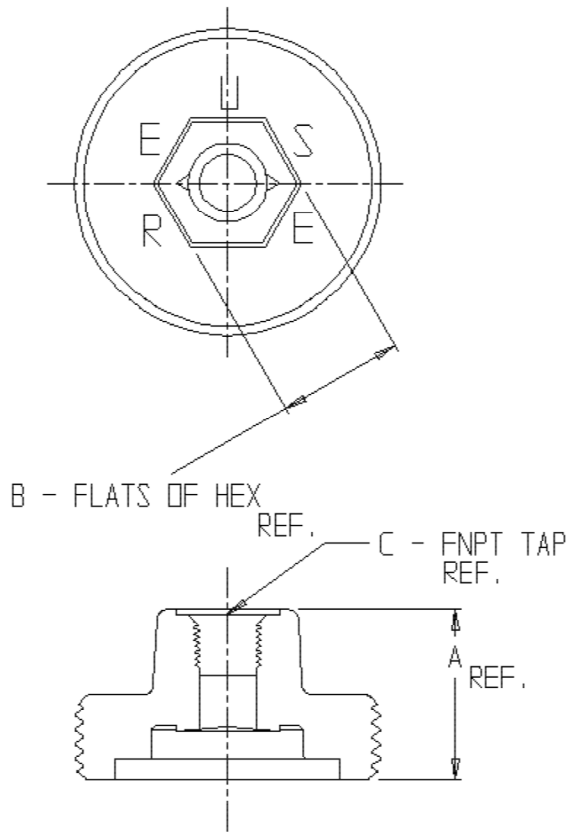


SUBMITTAL DATA SHEET

Gas Meter Nut Plugs with Taps



PART NUMBER	SIZE	A	B	C
4820-000	10LT-C	1.02	.77	1/8
4820-001	20LT-C	1.02	.77	1/8
4820-002	#1A-C	1.02	.77	1/8
4820-009	20LT-F	1.02	.77	1/4
4820-010	10LT-F	1.02	.77	1/4
4820-195	10LT-D	1.02	.77	1/4
4820-196	20LT-D	1.02	.77	1/4
4820-198	#1A-F	1.02	.77	1/4
4820-199	45LT-F	1.12	.77	1/4
4815-750	30LT	1.12	.77	1/8
4815-769	45LT-C	1.12	.77	1/8

SUBMITTAL INFORMATION

- Manufactured in compliance with ANSI B109.1(latest revision)
- Iron castings conform to ASTM A126 Class B, ASTM A47 or ASTM A536(latest revision)



A.Y. McDonald Mfg. Co.
4800 Chavenelle Rd
Dubuque, IA 52002

Toll Free: 1-800-292-2737
sales@aymcdonald.com
aymcdonald.com

A.Y. McDonald considers the information on this assembly drawing correct when published. Item and option availability, including specifications, are subject to change without notice.

Submitted by: