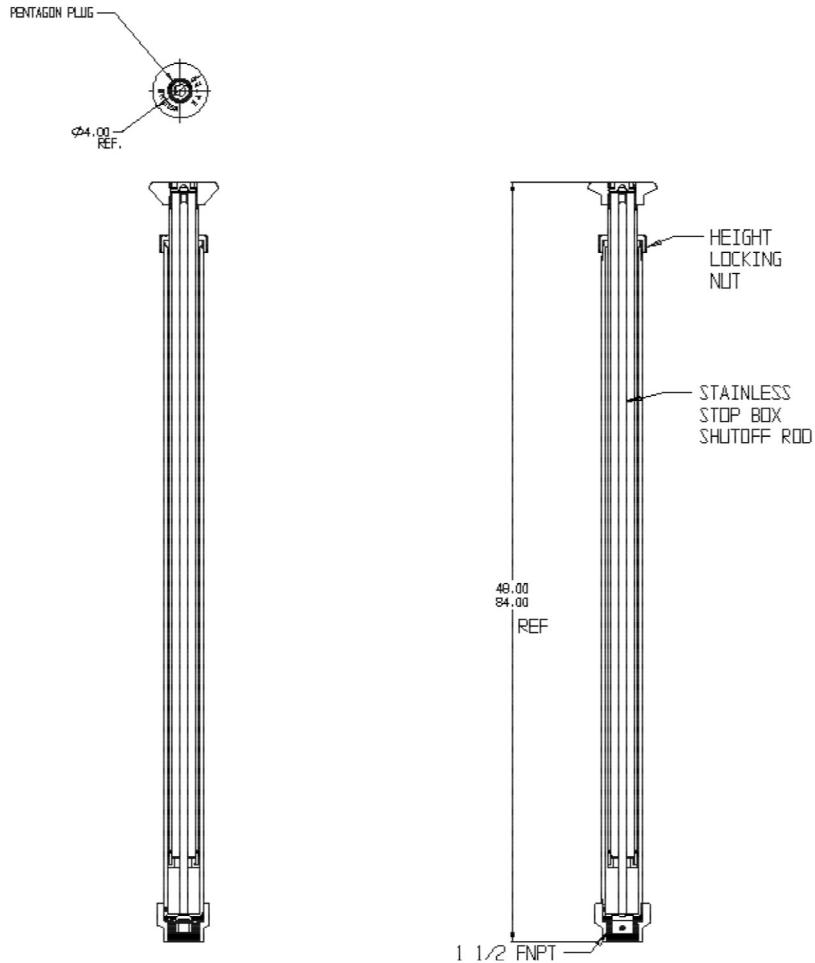


SUBMITTAL DATA SHEET

Curb Boxes – 5514 48x84

Minneapolis Pattern



SUBMITTAL INFORMATION

- Brass components not in contact with potable water conform to ASTM B62 and ASTM B584, UNS C83600 -85-5-5-5 (latest revision) or ASTM B584, UNS C84400 -81-3-7-9 (latest revision)
- Lid made of Cast Iron per ASTM A48, Class 25
- Upper and lower section made of polyethylene
- FNPT adapter and height locking nut made of polypropylene
- Lid coated with black dip



A.Y. McDonald Mfg. Co.
4800 Chavenelle Rd
Dubuque, IA 52002

Toll Free: 1-800-292-2737
sales@aymcdonald.com
aymcdonald.com

A.Y. McDonald considers the information on this assembly drawing correct when published. Item and option availability, including specifications, are subject to change without notice.

Submitted by:

06-23