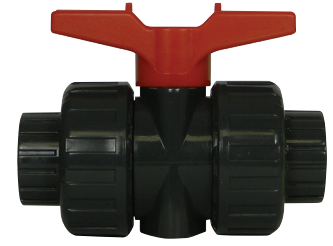


SUBMITTAL DATA SHEET

Schedule 80
PVC Union Ball Valve – 2064ST

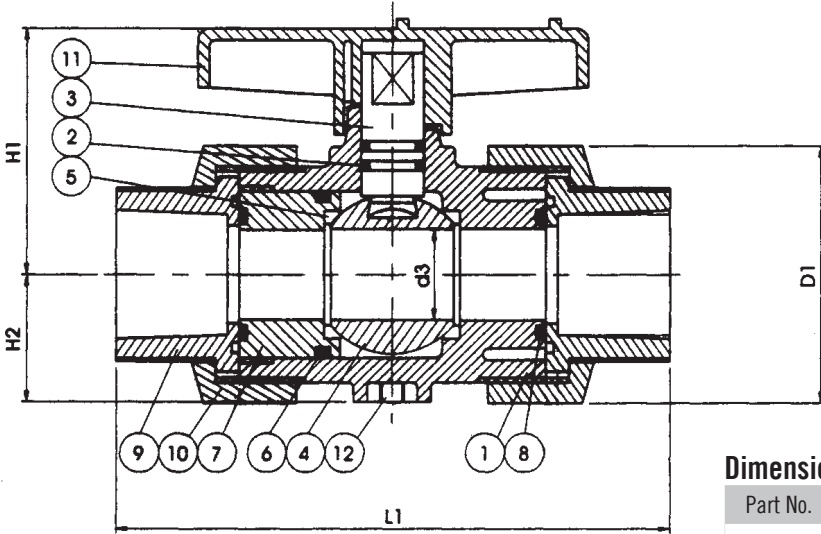
Solvent or FNPT



A.Y. McDonald Mfg. Co. PVC Ball Valves and Fittings feature convenience of operation with excellent flow characteristics. Use these sturdy valves for water supply in residential, commercial, and industrial applications.

Materials

No.	Part	Material
1	Body	PVC
2	Stem O-Ring	EPDM
3	Stem	PVC
4	Ball	PVC
5	Seat Seal	PTFE
6	Carrier O-Ring	EPDM
7	Seal Carrier	PVC
8	Union O-Ring	EPDM
9	End Connector	PVC
10	Union Nut	PVC
11	Handle	ABS
12	Inserted Nut	C3604



Dimensions

Part No.	Model No.	Size	L1	D1	d3	H1	H2
4421-223	2064ST	1/2"	4.09	2.08	.59	2.08	1.00
4421-224	2064ST	3/4"	4.61	2.40	.79	2.40	1.14
4421-225	2064ST	1"	5.20	2.80	1.00	2.79	1.44
4421-226	2064ST	1 1/4"	5.79	3.27	1.25	3.24	1.61
4421-227	2064ST	1 1/2"	6.57	3.78	1.52	3.58	1.89
4421-228	2064ST	2"	7.05	4.57	1.97	4.33	2.15
4424-253	2064ST	3"*	10.67	6.54	2.95	5.94	3.33
4424-254	2064ST	4"*	12.72	8.27	3.81	7.08	4.09

SUBMITTAL INFORMATION

- Schedule 80 Specification
 - Available Sizes: 1/2", 3/4", 1", 1 1/4", 1 1/2", 2", 3" and 4"
 - Fits schedule 40 & 80 PVC pipe
 - Valve shipped with both FNPT and Solvent connections
- *3" and 4" are only shipped with solvent

Temperature Ratings:

- 150 PSI at 73°F
- 50 PSI at 140°F

NO-LEAD: The weighted average of the wetted surface of this no-lead product contacted by consumable water contains less than one quarter of one percent (0.25%) lead.



A.Y. McDonald Mfg. Co.
4800 Chavenelle Rd
Dubuque, IA 52002

Toll Free: 1-800-292-2737
sales@aymcdonald.com
aymcdonald.com

A.Y. McDonald considers the information on this assembly drawing correct when published. Item and option availability, including specifications, are subject to change without notice.

Submitted by: