

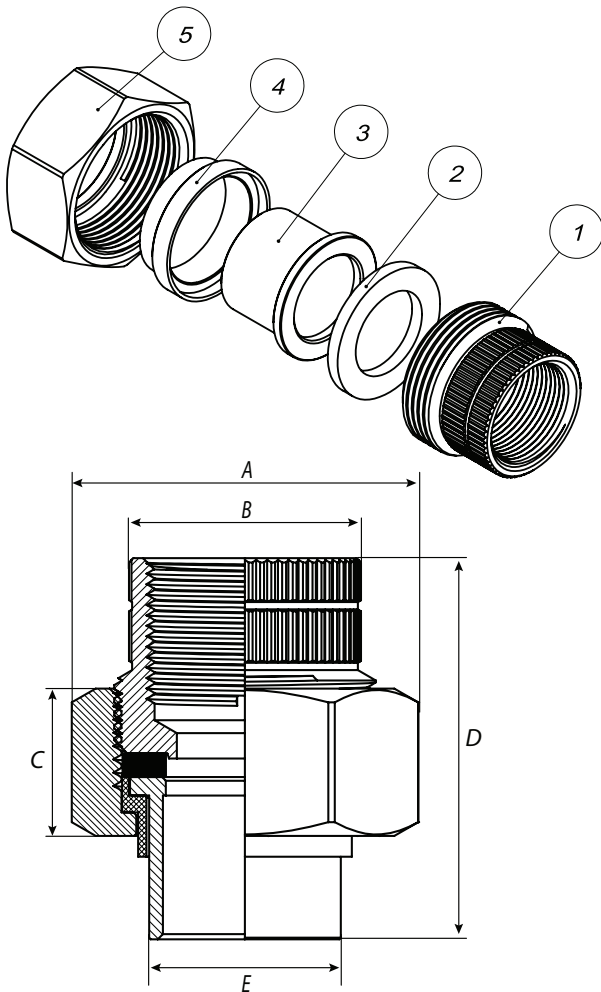
# SUBMITTAL DATA SHEET

No-Lead  
Dielectric Unions – 72110

FNPT Union x SWT



For use wherever dissimilar metals are used in a piping system. Prevents pipe deterioration from corrosion due to galvanic and stray currents.



## Materials

No.	Part	Material
1	Body	Forged carbon steel, galvanized
2	Washer	EPDM & NBR
3	Body	No-Lead Brass
4	Insulator Sleeve	Nylon
5	Nut	Forged carbon steel, galvanized

## Dimensions

Part No.	Model No.	Size	A	B	C	D	E
5421-031	72110	1/2"	1.63	1.04	0.72	1.85	0.82
5421-032	72110	3/4"	1.85	1.26	0.72	2.03	1.07
5421-037	72110	3/4" x 1/2"	1.85	1.26	0.72	1.89	0.82
5421-033	72110	1"	2.14	1.54	0.72	2.27	1.32
5421-034	72110	1 1/4"	2.56	1.86	0.85	2.52	1.57
5421-035	72110	1 1/2"	2.95	2.15	0.97	2.53	1.83
5421-036	72110	2"	3.76	2.74	1.06	2.85	2.38

## SUBMITTAL INFORMATION

- Available Sizes: 1/2", 3/4", 3/4" x 1/2", 1", 1 1/4", 1 1/2" and 2"
- 200 PSI at 180°F
- For repair gaskets, order 2110R

NO-LEAD: The weighted average of the wetted surface of this no-lead product contacted by consumable water contains less than one quarter of one percent (0.25%) lead.



A.Y. McDonald Mfg. Co.  
4800 Chavenelle Rd  
Dubuque, IA 52002

Toll Free: 1-800-292-2737  
sales@aymcdonald.com  
aymcdonald.com

A.Y. McDonald considers the information on this assembly drawing correct when published. Item and option availability, including specifications, are subject to change without notice.

Submitted by: