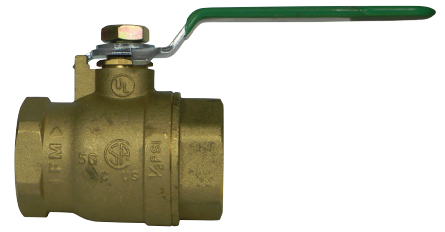


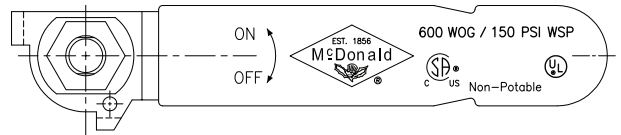
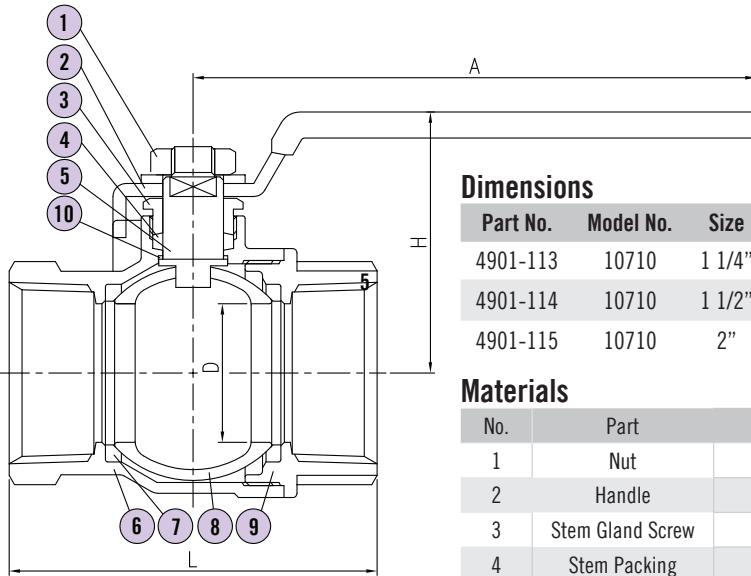
SUBMITTAL DATA SHEET

Gas (only) Ball Valve – 10710
(Sizes 1 1/4", 1 1/2", and 2")

FNPT x FNPT



A.Y. McDonald Mfg. Co. Gas Ball Valves are constructed of heavy duty forged brass. They are designed for residential, commercial, and industrial use in low pressure gas applications. Valves listed are suitable for use with natural, manufactured, mixed and LP gases and with LP gas - air mixtures.



Dimensions

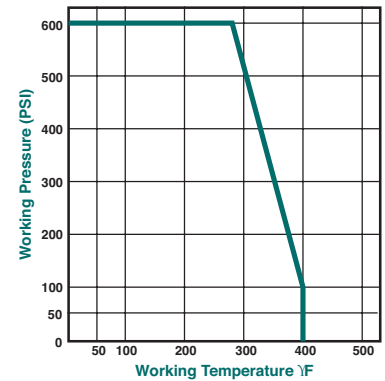
Part No.	Model No.	Size	L	H	D	A
4901-113	10710	1 1/4"	3.35	2.36	1.26	5.12
4901-114	10710	1 1/2"	3.62	2.56	1.50	5.12
4901-115	10710	2"	4.25	3.11	1.97	7.87

Materials

No.	Part	Material
1	Nut	Steel
2	Handle	Steel
3	Stem Gland Screw	Brass
4	Stem Packing	Teflon
5	Stem	Brass
6	Body	Forged Brass Cast Brass
7	Ball Disc Packing	Teflon
8	Ball Disc	Chrome Plated Brass
9	End Plug	Forged Brass
10	Thrust Washer	Teflon PTFE

TEMPERATURE / PRESSURE RATING

1 1/4", 1 1/2", 2" ONLY



Non-Potable Use Only

SUBMITTAL INFORMATION

- 600 WOG / 150 PSI WSP
- Sizes: 1 1/4", 1 1/2", 2"
- Ambient working temp. = -40°F to 125°F (1 1/4" & 1 1/2")
- Ambient working temp = .32°F to 125°F (2")
- 1/4 turn operation
- 2 piece forged brass body
- Blow out proof stem
- Full Port
- Conforms to MSS-SP-110
- Teflon Seats

Valves manufactured to:

B16.44 5 PSIG

Z21.15 1/2 PSIG

842 5 PSIG



NO-LEAD: The weighted average of the wetted surface of this no-lead product contacted by consumable water contains less than one quarter of one percent (0.25%) lead.



A.Y. McDonald Mfg. Co.
4800 Chavenelle Rd
Dubuque, IA 52002

Toll Free: 1-800-292-2737
sales@aymcdonald.com
aymcdonald.com

A.Y. McDonald considers the information on this assembly drawing correct when published. Item and option availability, including specifications, are subject to change without notice.

Submitted by: