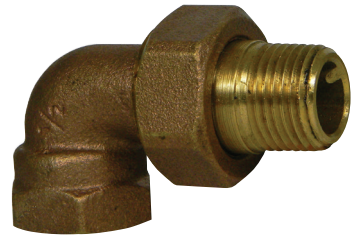


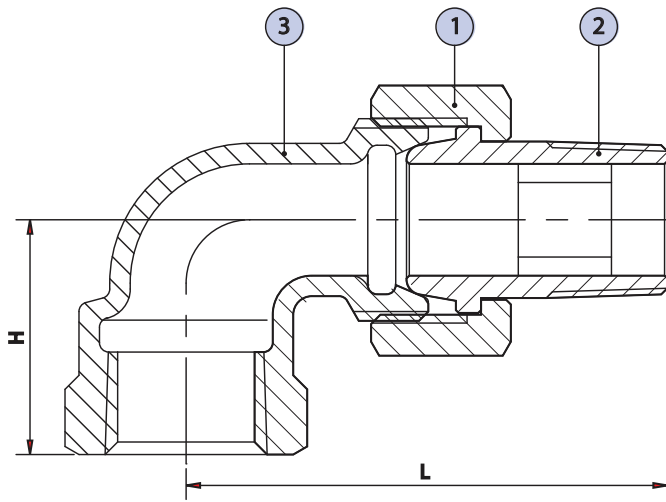
SUBMITTAL DATA SHEET

Radiator Valves
Union Elbow – 4438T

FNPT x MNPT Union



A.Y. McDonald Mfg. Co. Radiator Valves are constructed of heavy duty cast brass and feature a non-rising stem design. They provide positive shut off in steam and hot water applications.



Dimensions

Part No.	Model No.	Size	H	L
4420-071	4438T	1/2"	1.10	2.26
4420-072	4438T	3/4"	1.24	2.57
4901-146	4438T	1"	1.39	2.91
4901-147	4438T	1 1/4"	1.79	3.34

Materials

No.	Part	Material
1	Union Nut	Brass
2	Union	Brass
3	Body	Brass

SUBMITTAL INFORMATION

- 15 WSP
- 60 PSI Hot Water
- Available Sizes: 1/2", 3/4", 1", and 1 1/4"



Non-Potable Use
Only



A.Y. McDonald Mfg. Co.
4800 Chavenelle Rd
Dubuque, IA 52002

Toll Free: 1-800-292-2737
sales@aymcdonald.com
aymcdonald.com

A.Y. McDonald considers the information on this assembly drawing correct when published. Item and option availability, including specifications, are subject to change without notice.

Submitted by: